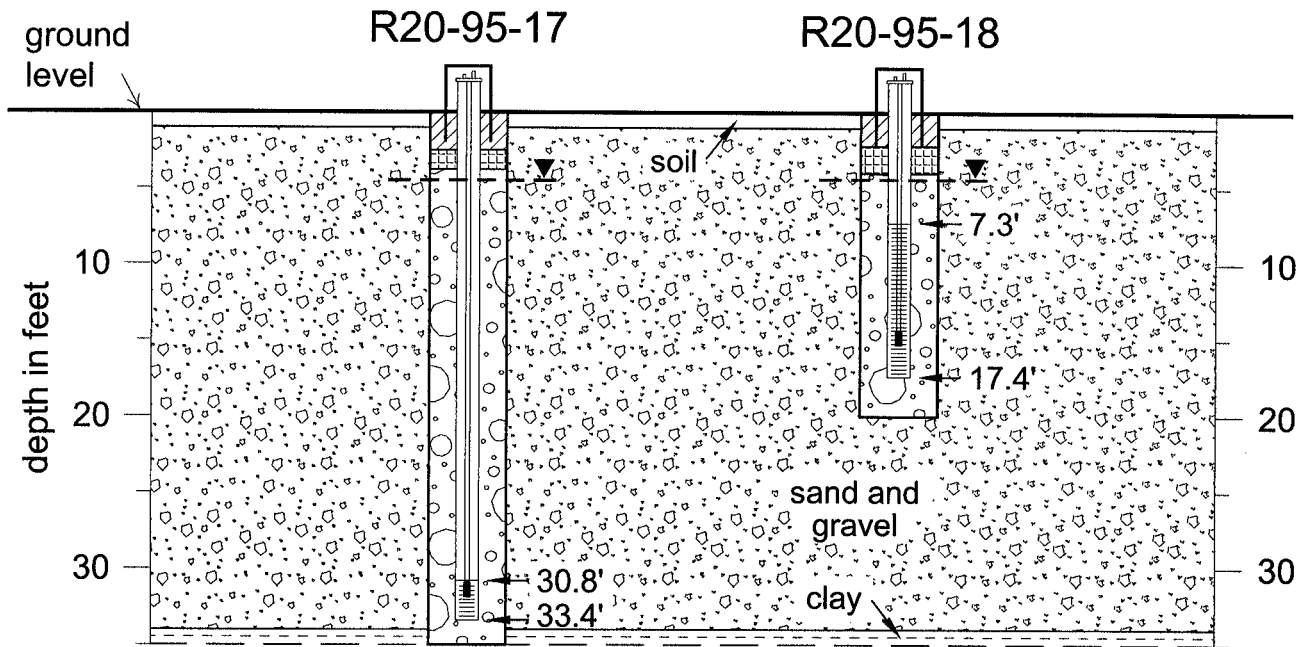


Antelope Valley aquifer
 SW NW SW SW sec. 36, T. 119 N., R. 51 W.
 (south of South Shore, Codington County)

S ← → N



Neat cement



Granular bentonite



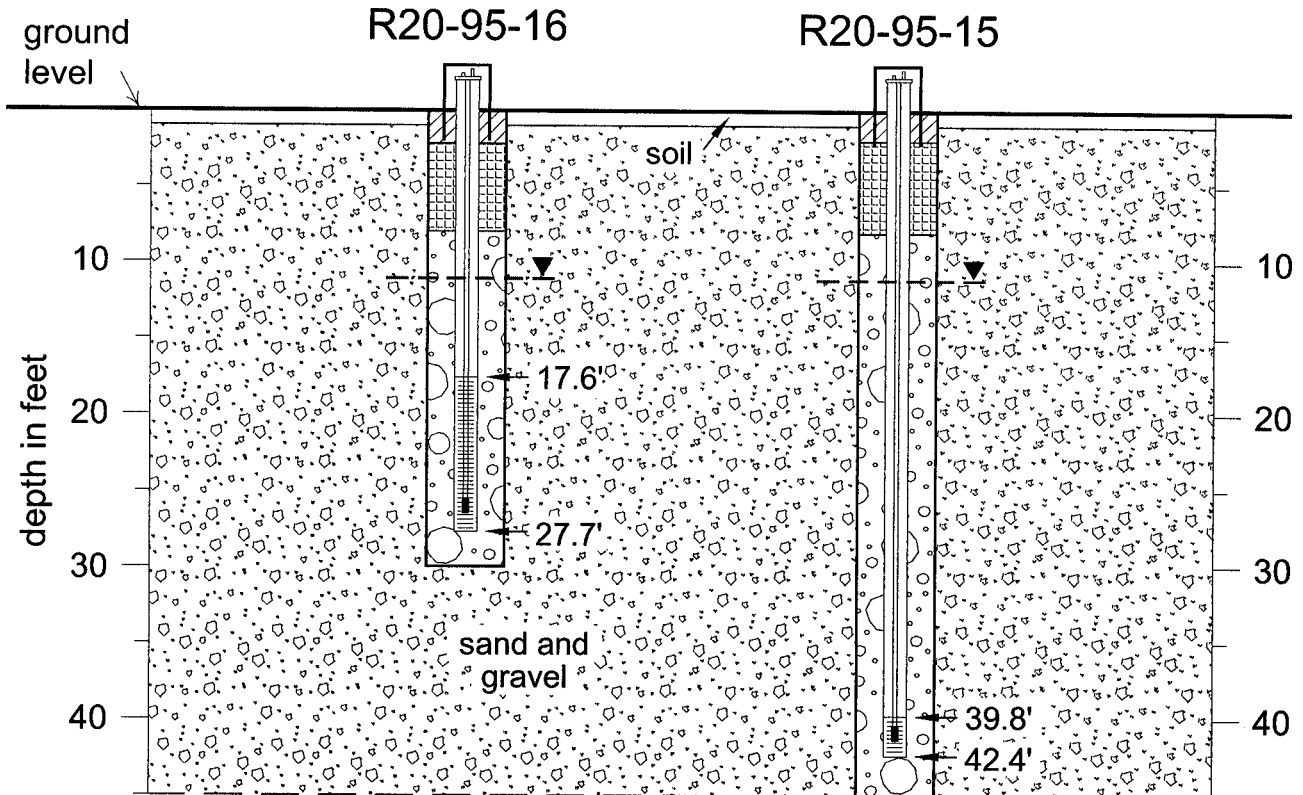
Native sediment (sand/gravel) and/or graded sand filter pack



Water level on June 29, 1995

Antelope Valley aquifer
NE NE NE NW sec. 28, T. 120 N., R. 51 W.
(north of South Shore, Grant County)

W ← → E



Neat cement



Granular bentonite

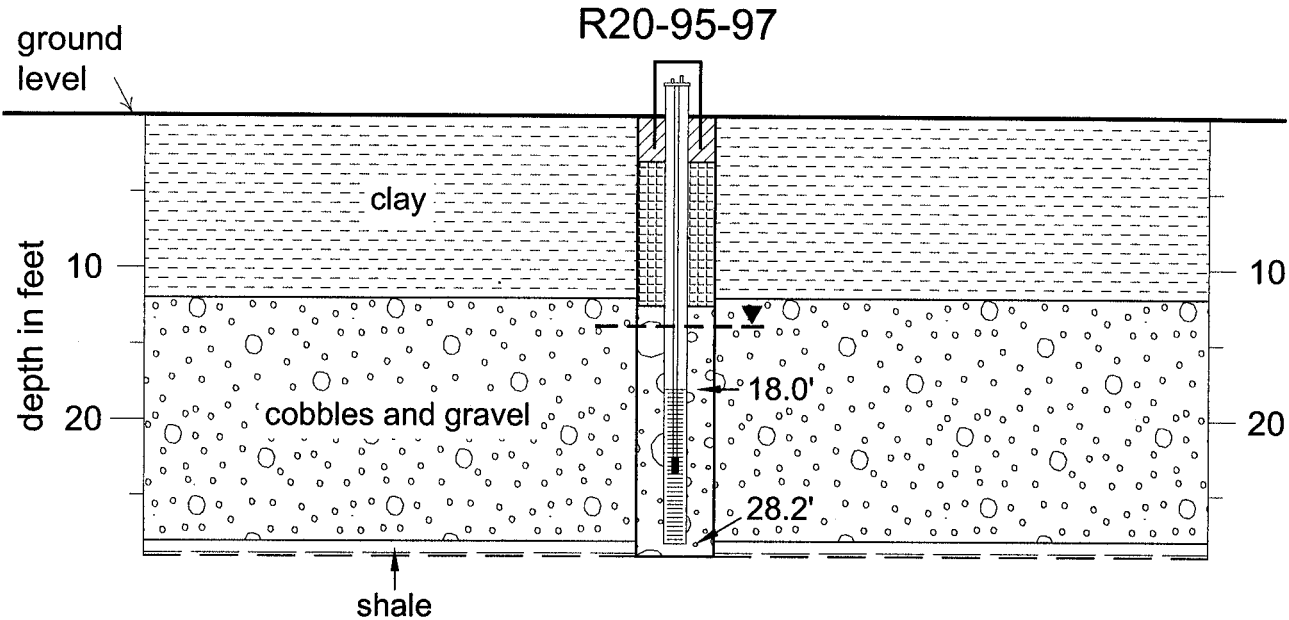



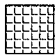


Native sediment (sand/gravel) and/or graded sand filter pack



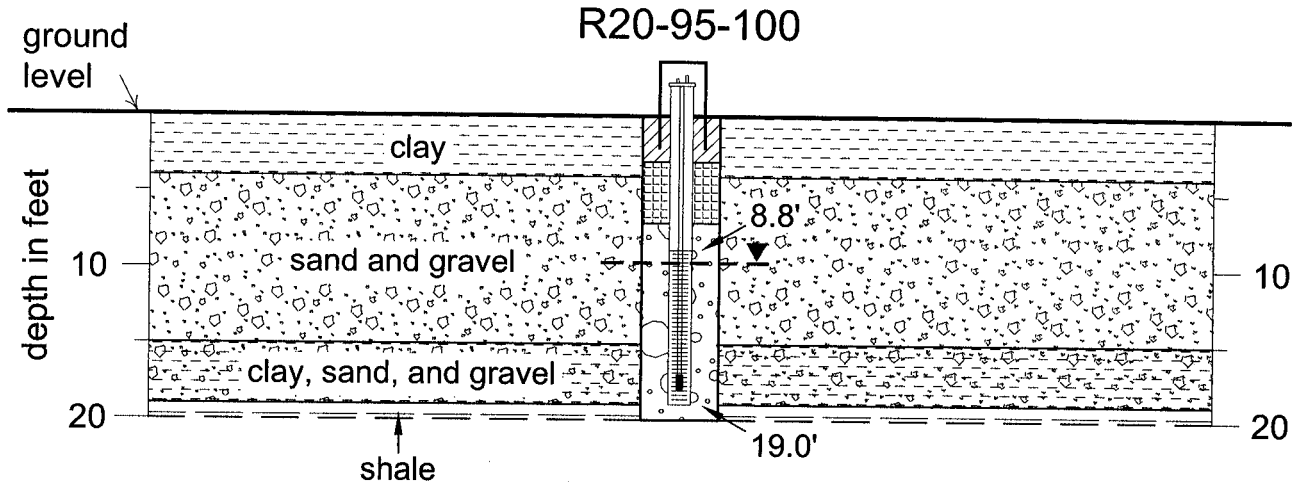
Water level on June 28, 1995

Bear Butte Creek aquifer
SE NE NE NE sec. 6, T. 5 N., R. 6 E.
(upper Bear Butte Creek, Meade County)



-  Neat cement
-  Granular bentonite
-  Native sediment (sand/gravel) and/or graded sand filter pack
-  Water level on October 28, 1995

Bear Butte Creek aquifer
NE NE NE SW sec. 16, T. 6 N., R. 7 E.
(lower Bear Butte Creek, Meade County)



Neat cement



Granular bentonite



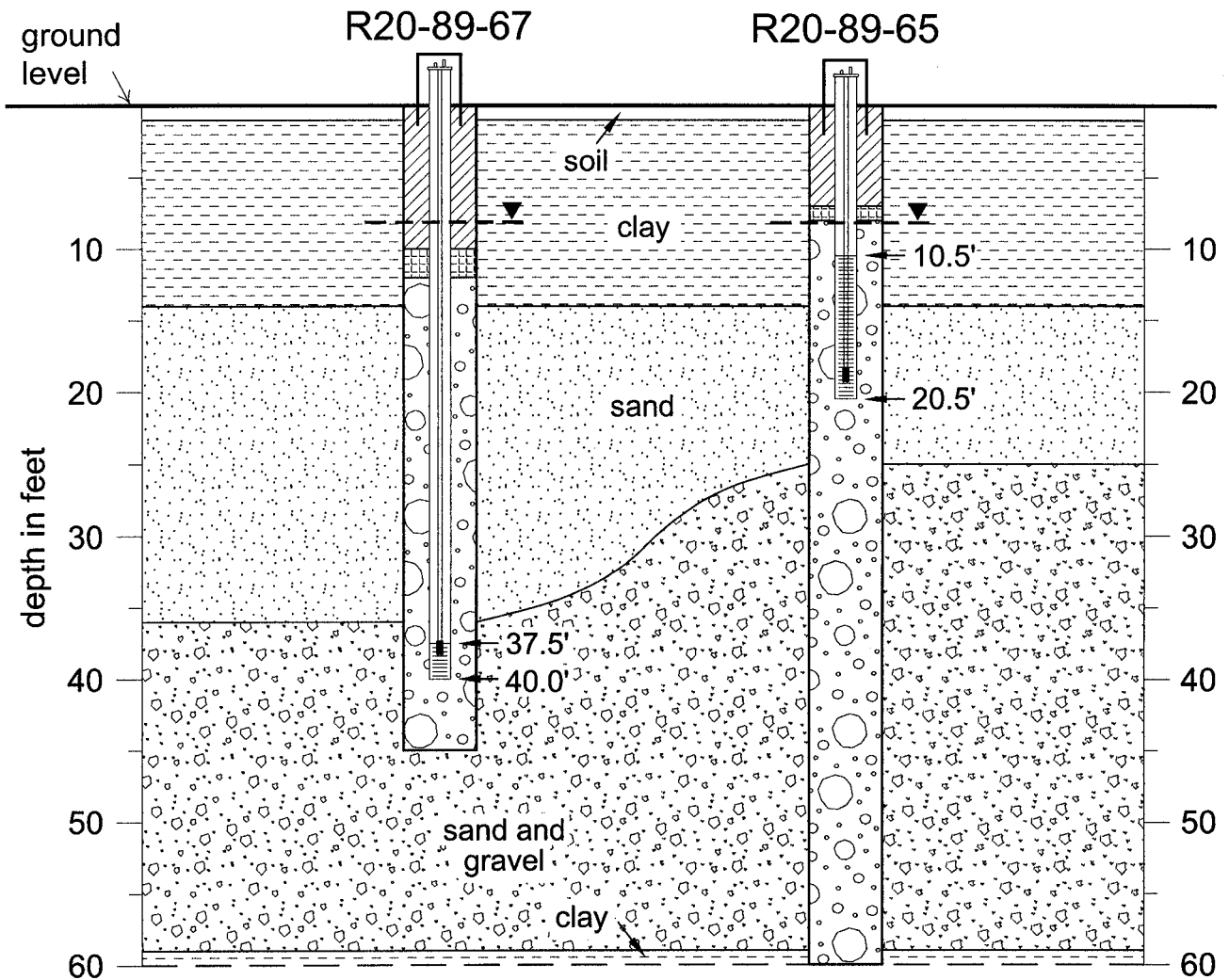
Native sediment (sand/gravel) and/or graded sand filter pack


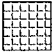




Water level on October 29, 1995

Big Sioux aquifer
SE SE SE SW sec. 2, T. 92 N., R. 49 W.
(near Richland, Union County)

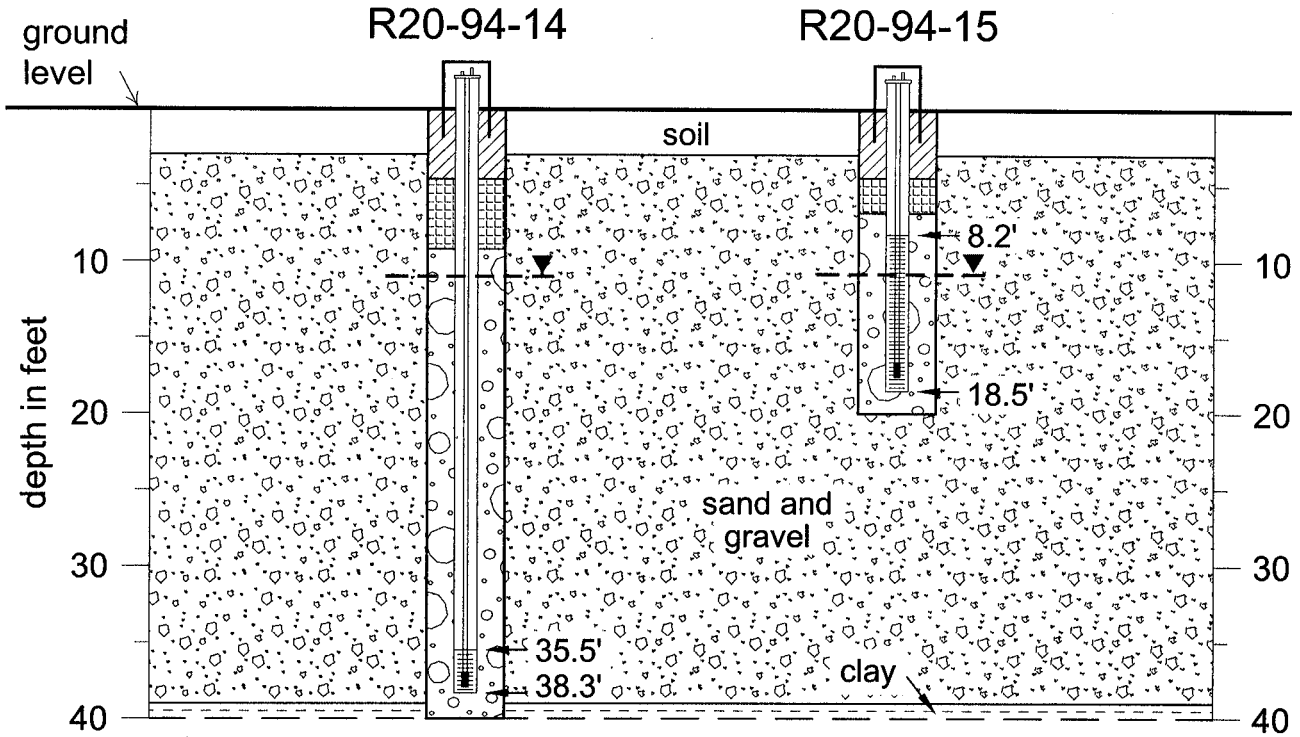
W ← → E


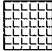




-  Neat cement
-  Granular bentonite
-  Native sediment (sand/gravel) and/or graded sand filter pack
-  -- ▽ -- Water level on August 8, 1994

Big Sioux aquifer
SW SW SW SW sec. 21, T. 94 N., R. 48 W.
(near Big Springs, Union County)

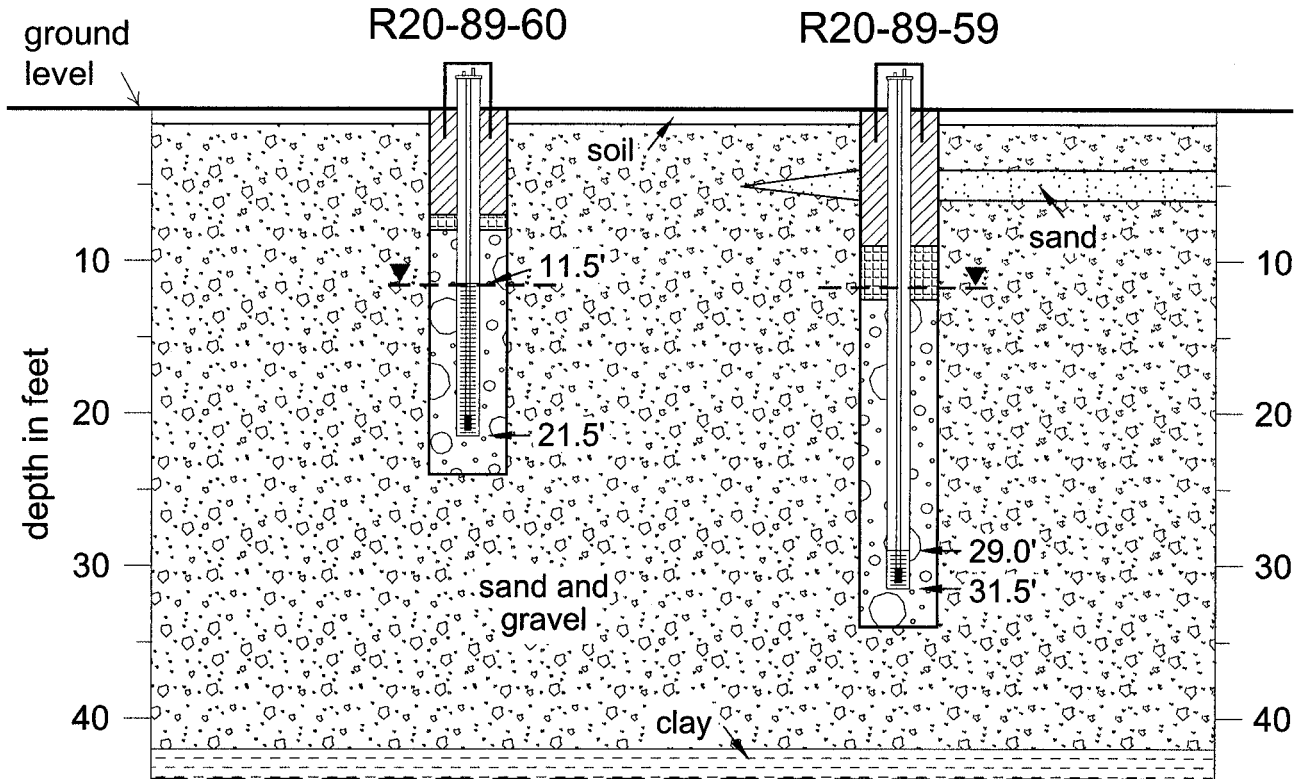
W ← → E


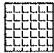




-  Neat cement
-  Granular bentonite
-  Native sediment (sand/gravel) and/or graded sand filter pack
-  —▼— Water level on August 8, 1994

Big Sioux aquifer
SE SE SE SW sec. 24, T. 96 N., R. 48 W.
(near Hudson, Lincoln County)

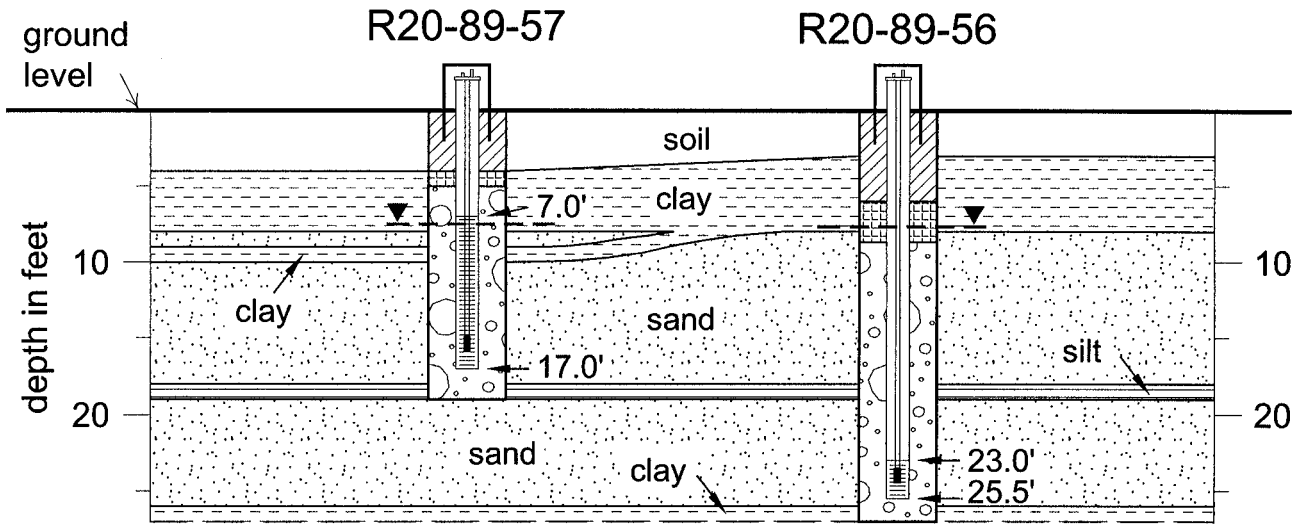
W ← → E



-  Neat cement
-  Granular bentonite
-  Native sediment (sand/gravel) and/or graded sand filter pack
-  —▼— Water level on August 8, 1994

Big Sioux aquifer
 NE SE SE NE sec. 8, T. 98 N., R. 48 W.
 (near Canton, Lincoln County)

W ← → E



Neat cement



Granular bentonite



Native sediment (sand/gravel) and/or graded sand filter pack

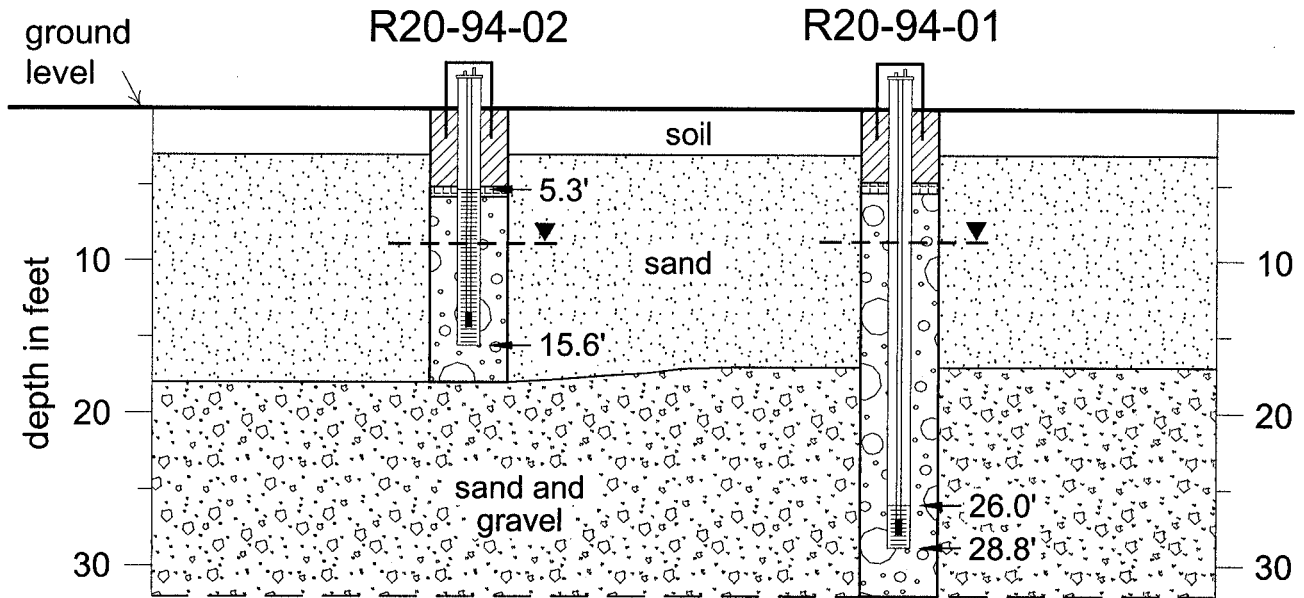


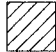



Water level on August 9, 1994

Big Sioux aquifer

SE SE SE SW sec. 4, T. 101 N., R. 48 W. (near East Sioux Falls, Minnehaha County)

S ← → N

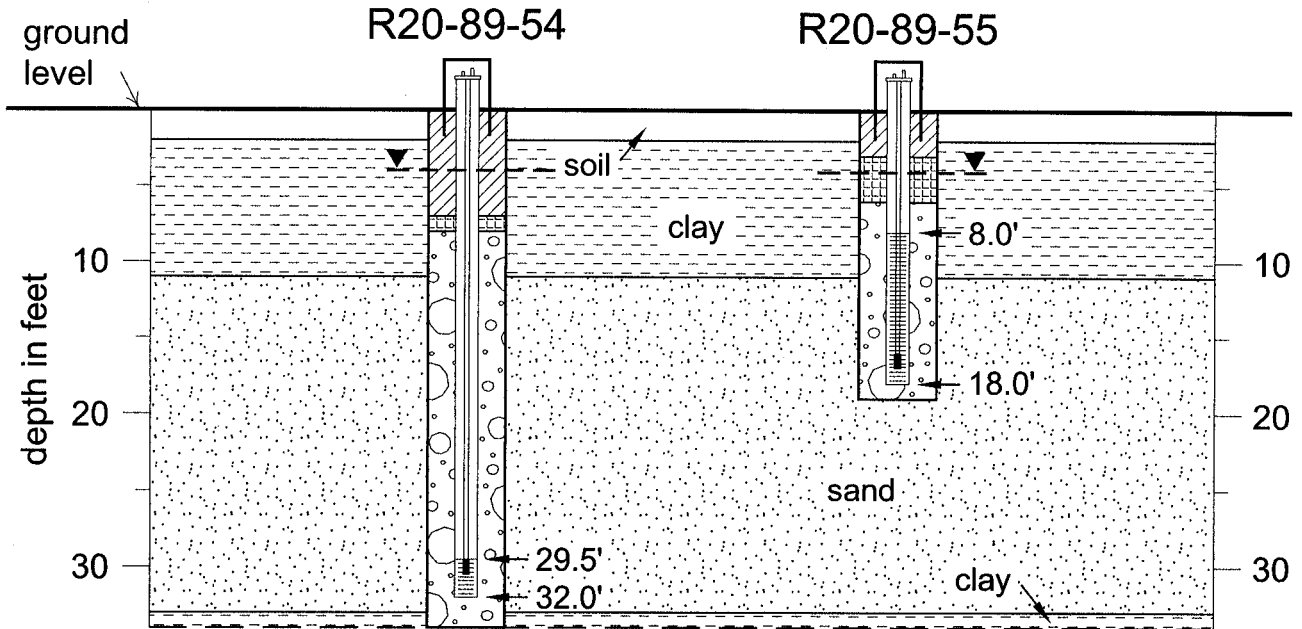



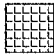


-  Neat cement
-  Granular bentonite
-  Native sediment (sand/gravel) and/or graded sand filter pack
-  Water level on August 9, 1994

Big Sioux aquifer

SE SE SE SE sec. 8, T. 102 N., R. 49 W. (near Renner, Minnehaha County)

W ← → E



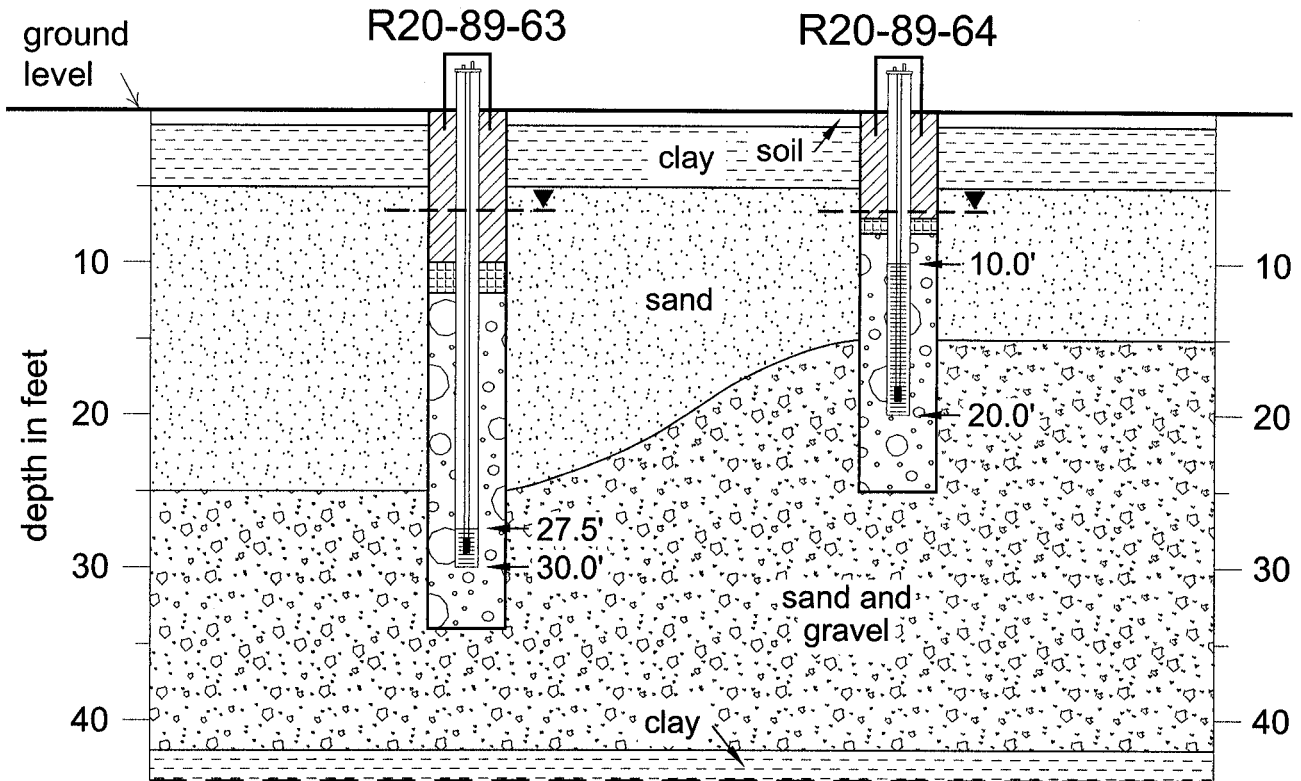
-  Neat cement
-  Granular bentonite
-  Native sediment (sand/gravel) and/or graded sand filter pack
-  Water level on August 9, 1994

Big Sioux aquifer

SW SW SW SW sec. 31, T. 104 N., R. 49 W.

(near Baltic, Minnehaha County)

W ← → E



Neat cement



Granular bentonite



Native sediment (sand/gravel) and/or graded sand filter pack

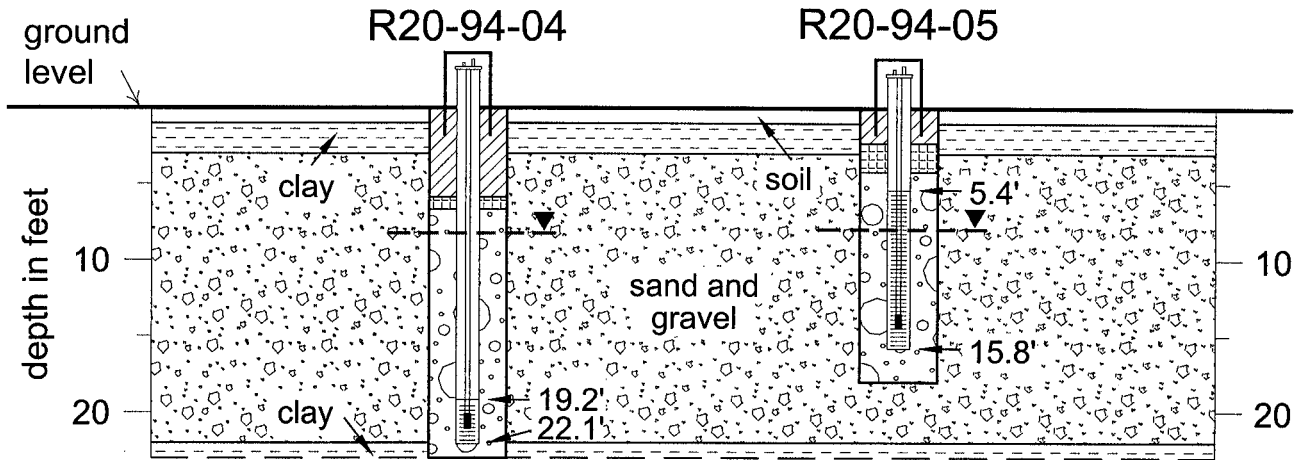


Water level on August 10, 1994

Big Sioux aquifer

NE NE NE SE sec. 10, T. 105 N., R. 49 W. (near Trent, Moody County)

S ← → N



Neat cement



Granular bentonite



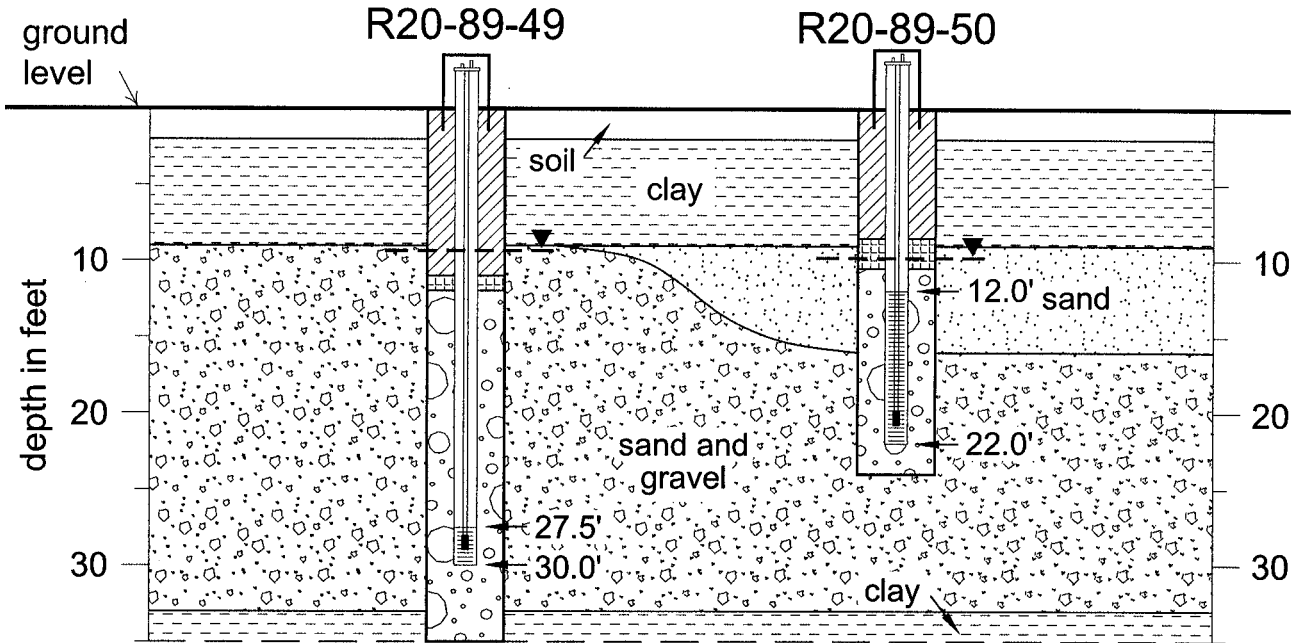
Native sediment (sand/gravel) and/or graded sand filter pack

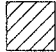
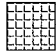




Water level on August 4, 1994

Big Sioux aquifer
SW SW SE NE sec. 7, T. 106 N., R. 48 W.
(near Egan, Moody County)

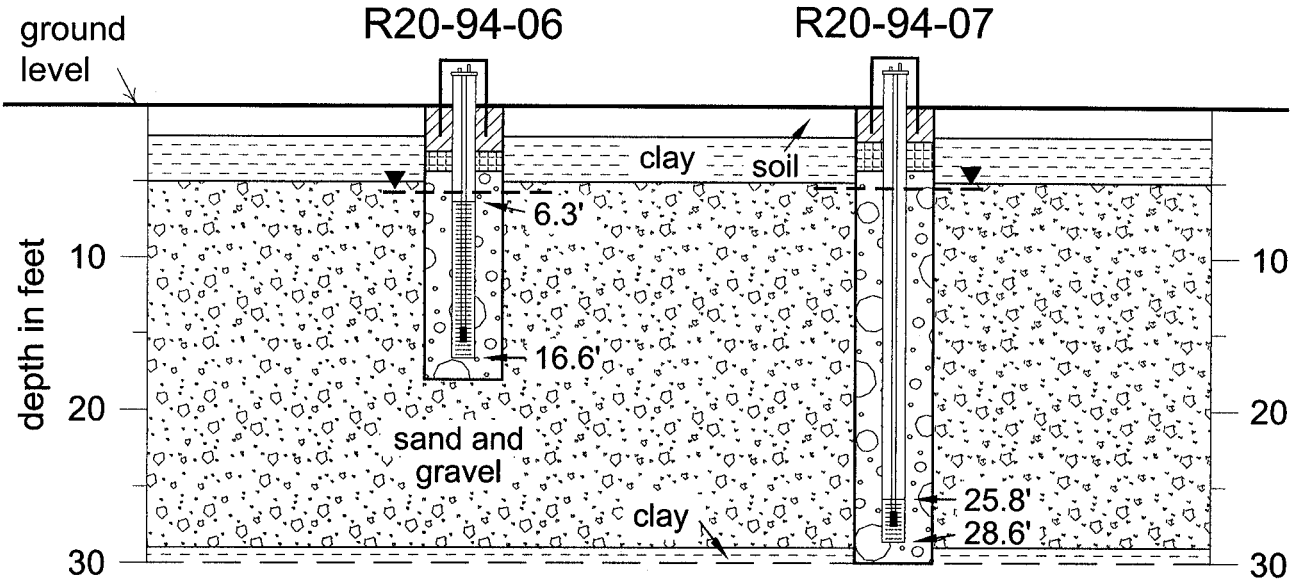
SW ← → NE


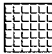




-  Neat cement
-  Granular bentonite
-  Native sediment (sand/gravel) and/or graded sand filter pack
-  Water level on August 10, 1994

Big Sioux aquifer
NE NE NE SE sec. 9, T. 108 N., R. 49 W.
(near Ward, Moody County)

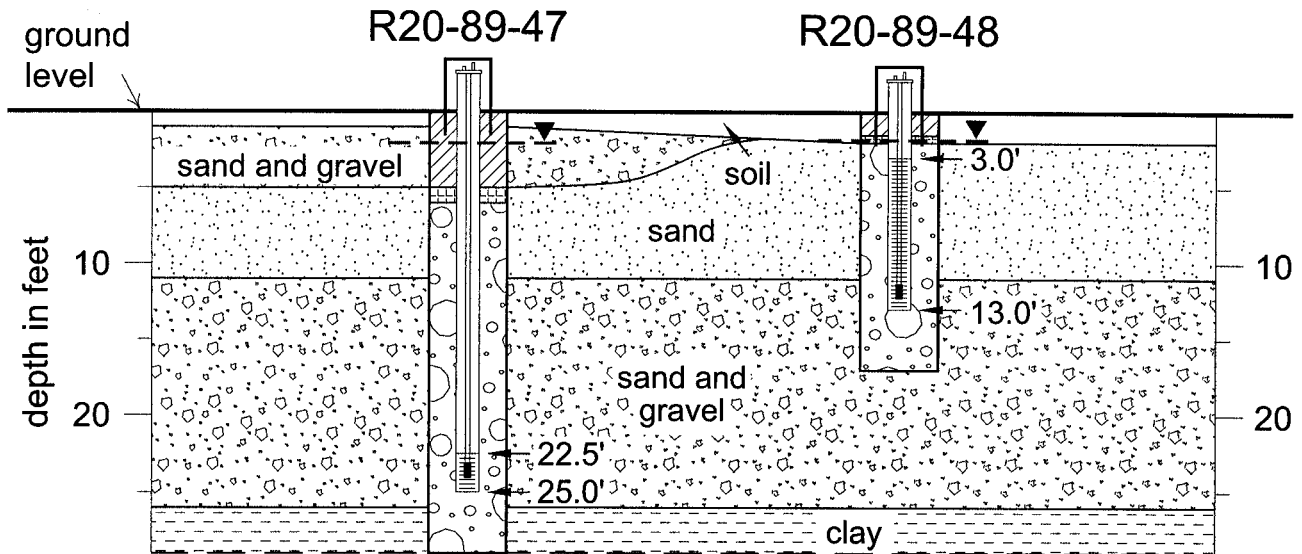
S ← → N



-  Neat cement
-  Granular bentonite
-  Native sediment (sand/gravel) and/or graded sand filter pack
-  —▼— Water level on August 4, 1994

Big Sioux aquifer
 NW NW NW NW sec. 18, T. 110 N., R. 50 W.
 (near Volga, Brookings County)

W ← → E



Neat cement



Granular bentonite



Native sediment (sand/gravel) and/or graded sand filter pack

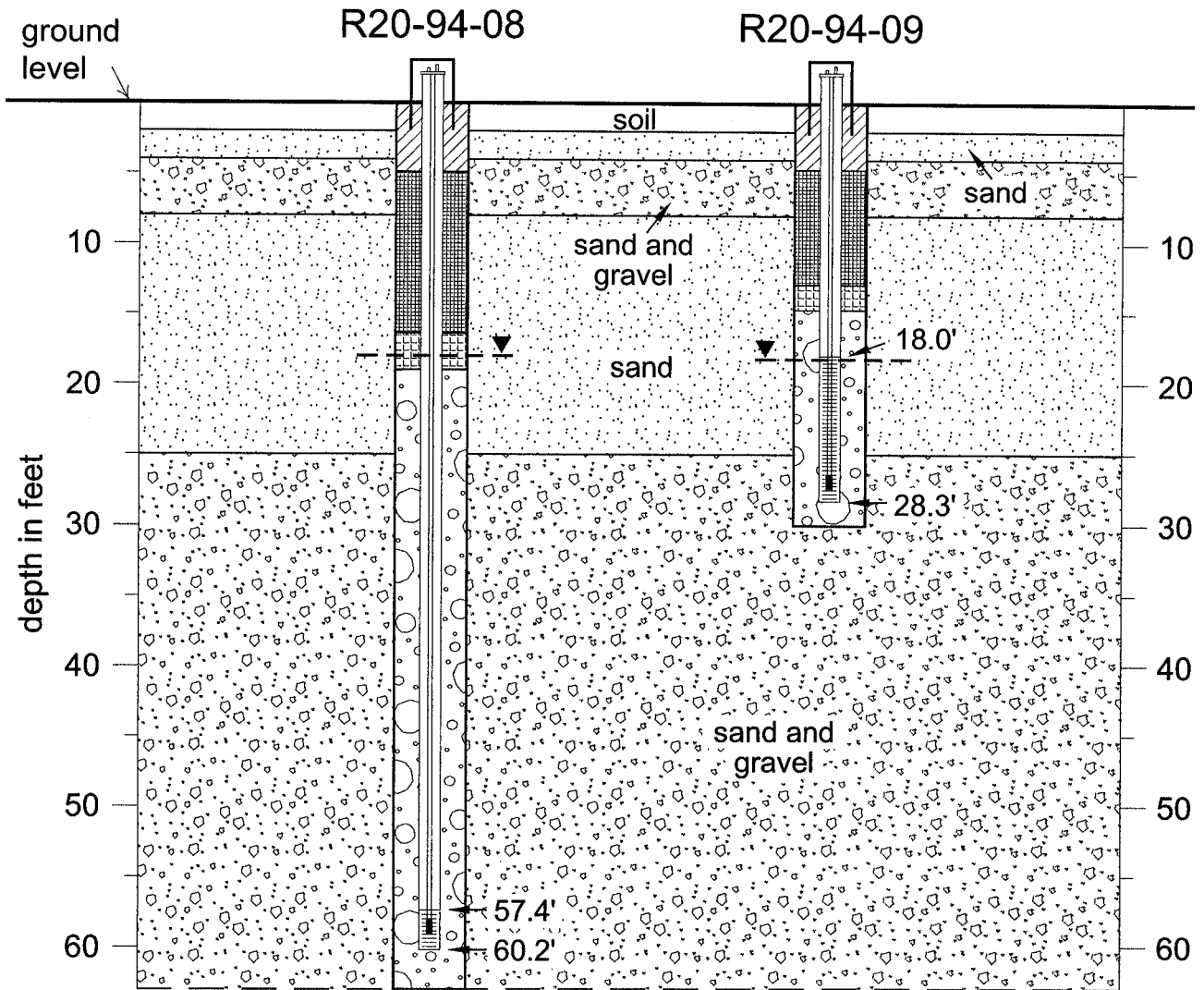


Water level on August 10, 1994

Big Sioux aquifer

SW SW SW SE sec. 27, T. 111 N., R. 49 W. (near White, Brookings County)

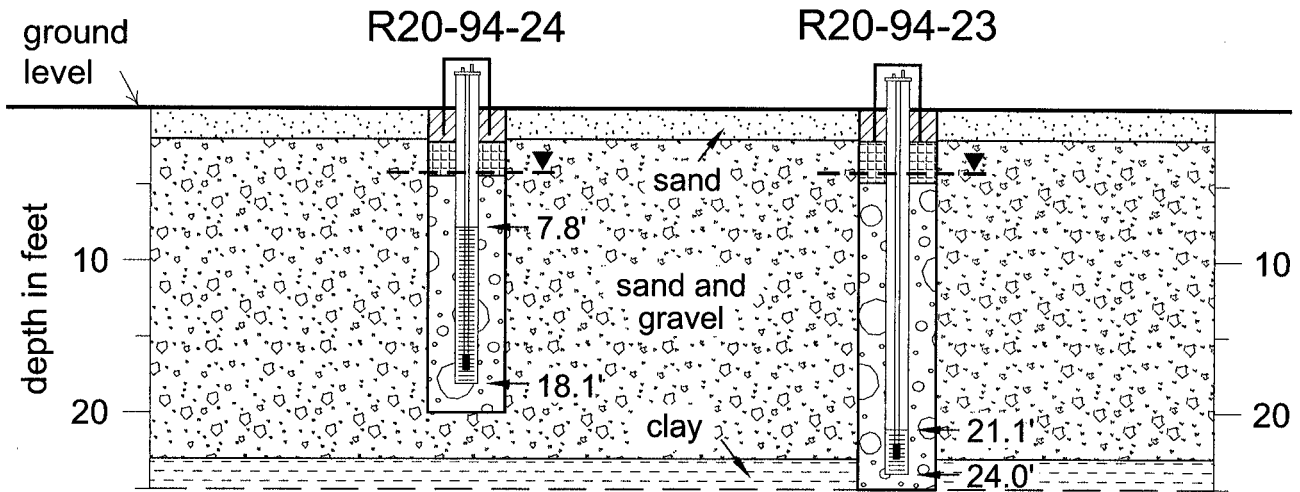
W ← → E

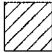
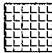




- Neat cement
- Bentonite slurry
- Granular bentonite
- Native sediment (sand/gravel) and/or graded sand filter pack
- Water level on August 3, 1994

Big Sioux aquifer
 NW NW SW SW sec. 29, T. 112 N., R. 50 W.
 (near Bruce, Brookings County)

S ← → N

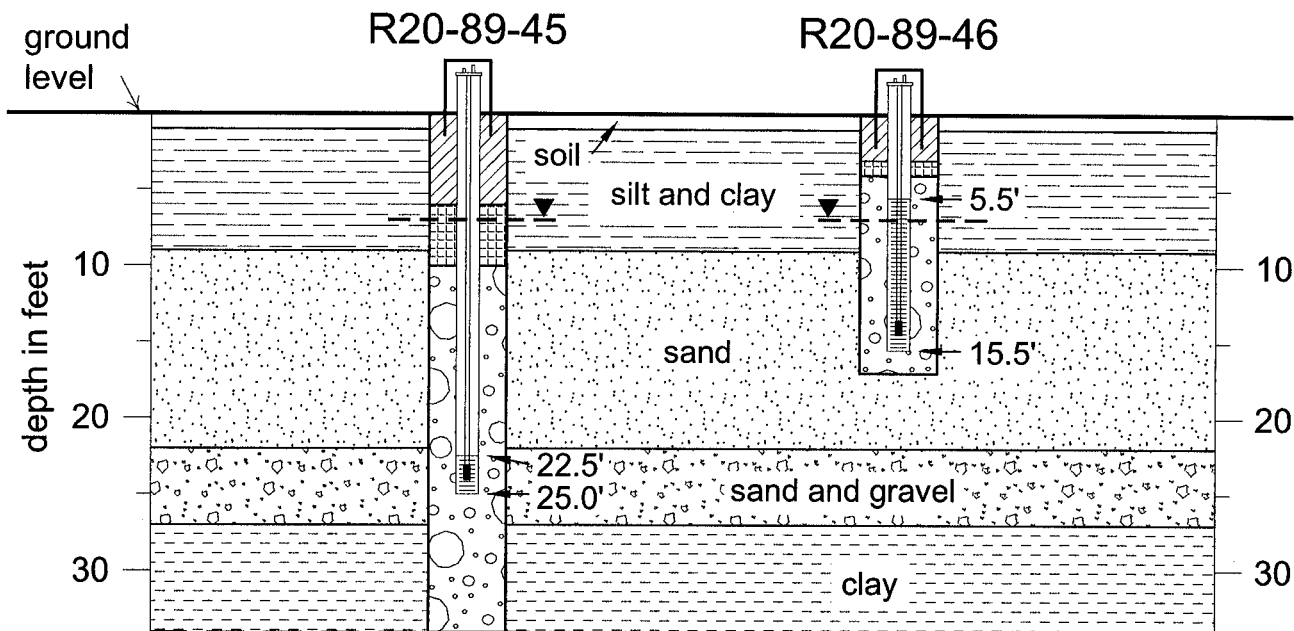


-  Neat cement
-  Granular bentonite
-  Native sediment (sand/gravel) and/or graded sand filter pack
-  —▼— Water level on August 3, 1994

Big Sioux aquifer

SE SW SW SE sec. 10, T. 113 N., R. 51 W. (near Estelline, Hamlin County)

W ← → E



Neat cement



Granular bentonite

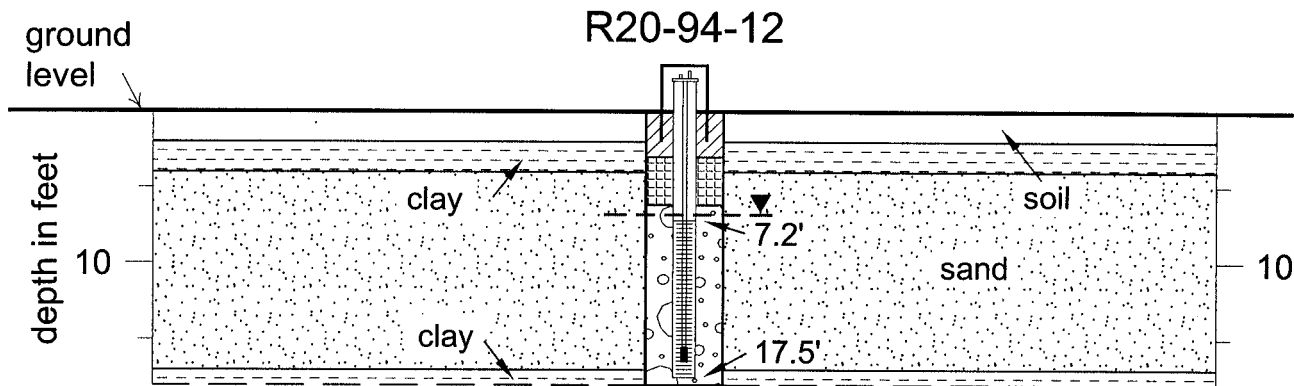






Native sediment (sand/gravel) and/or graded sand filter pack



Water level on August 3, 1994

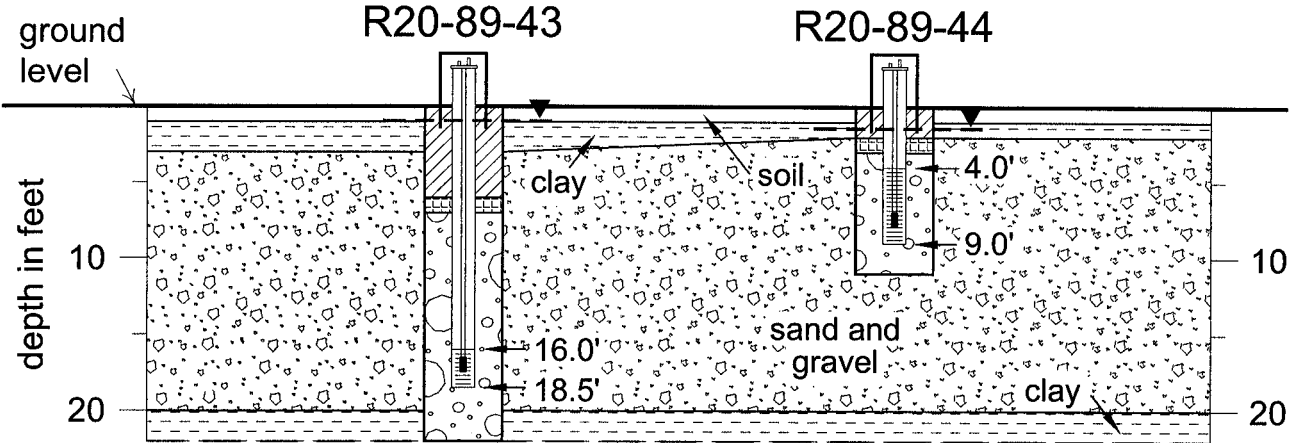
Big Sioux aquifer
SE SW SE SW sec. 24, T. 114 N., R. 52 W.
(near Lake Florence, Hamlin County)


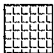




-  Neat cement
-  Granular bentonite
-  Native sediment (sand/gravel) and/or graded sand filter pack
-  Water level on August 3, 1994

Big Sioux aquifer
SW SW SW SE sec. 15, T. 115 N., R. 52 W.
(near Castlewood, Hamlin County)

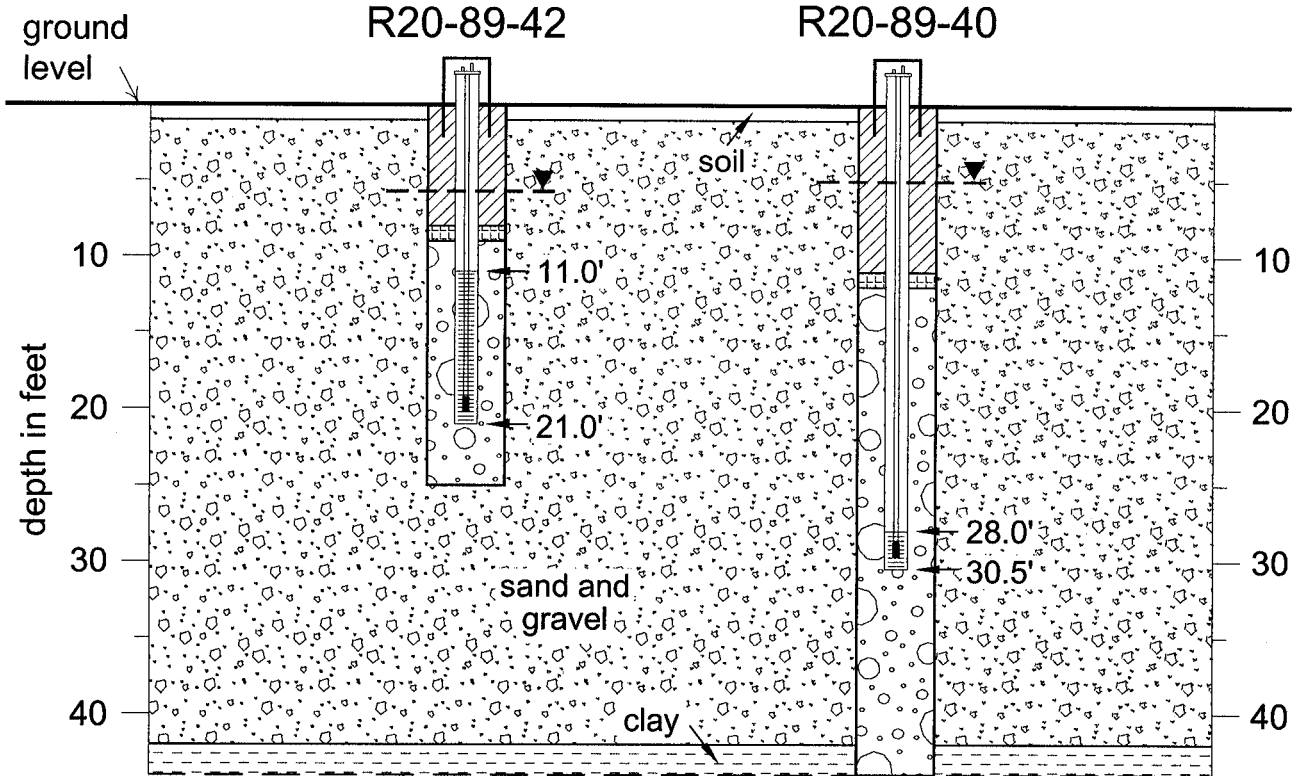
W ← → E


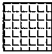




-  Neat cement
-  Granular bentonite
-  Native sediment (sand/gravel) and/or graded sand filter pack
-  —▼— Water level on August 3, 1994

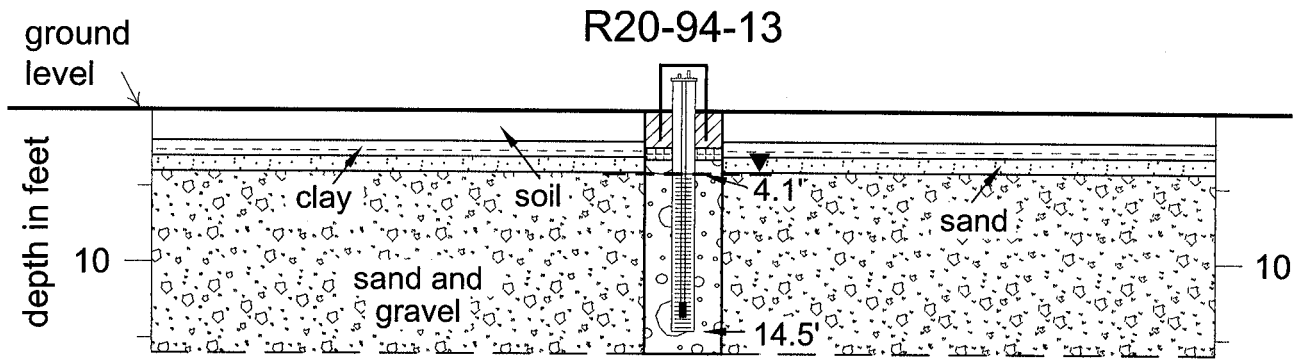
Big Sioux aquifer
NW SW NW NW sec. 21, T. 118 N., R. 52 W.
(near Watertown, Codington County)

S ← → N



-  Neat cement
-  Granular bentonite
-  Native sediment (sand/gravel) and/or graded sand filter pack
-  --▼-- Water level on August 2, 1994

Big Sioux aquifer
NW NW NW NW sec. 14, T. 119 N., R. 52 W.
(near Cottonwood Lake, Codington County)



Neat cement



Granular bentonite



Native sediment (sand/gravel) and/or graded sand filter pack

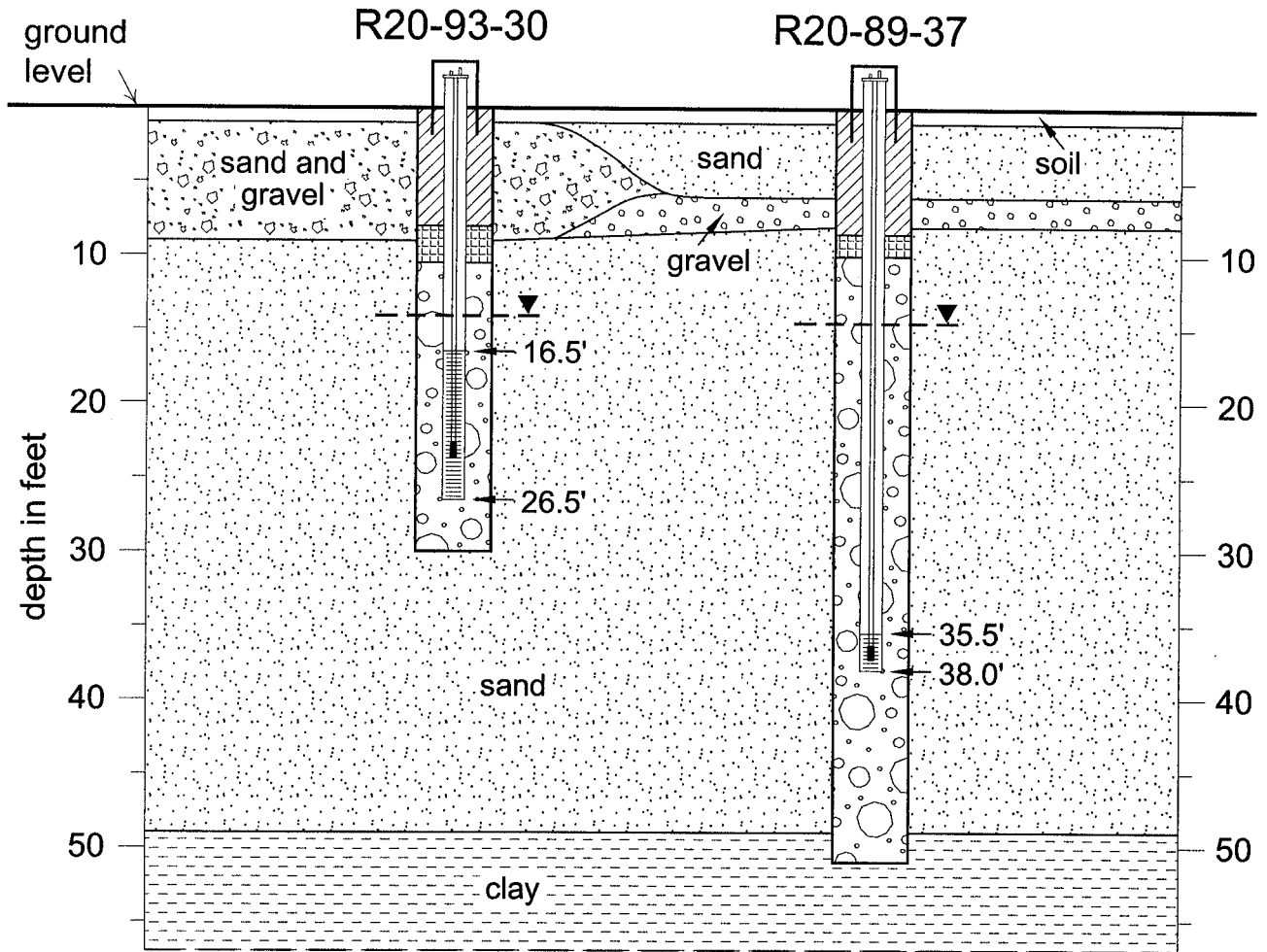


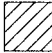
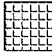


Water level on August 2, 1994

Big Sioux aquifer

NE SE SE SE sec. 9, T. 120 N., R. 52 W.
(near Lonesome Lake, Grant County)

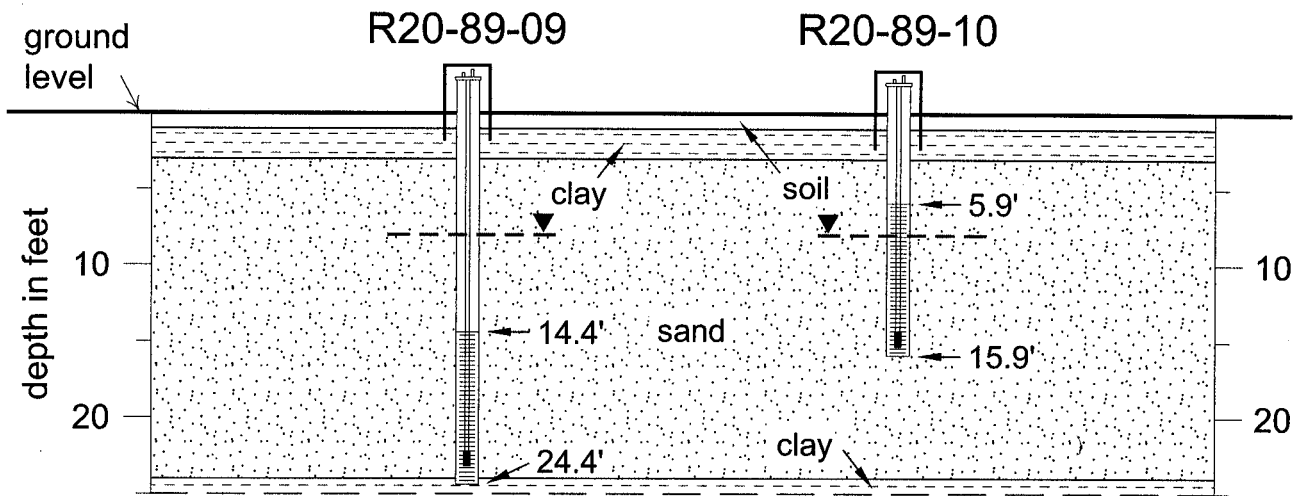
S ← → N



-  Neat cement
-  Granular bentonite
-  Native sediment (sand/gravel) and/or graded sand filter pack
-  —▼— Water level on August 2, 1994

Bowdle aquifer
SE SE SE NE sec. 17, T. 119 N., R. 74 W.
(north of Lebanon, Potter County)

W ← → E

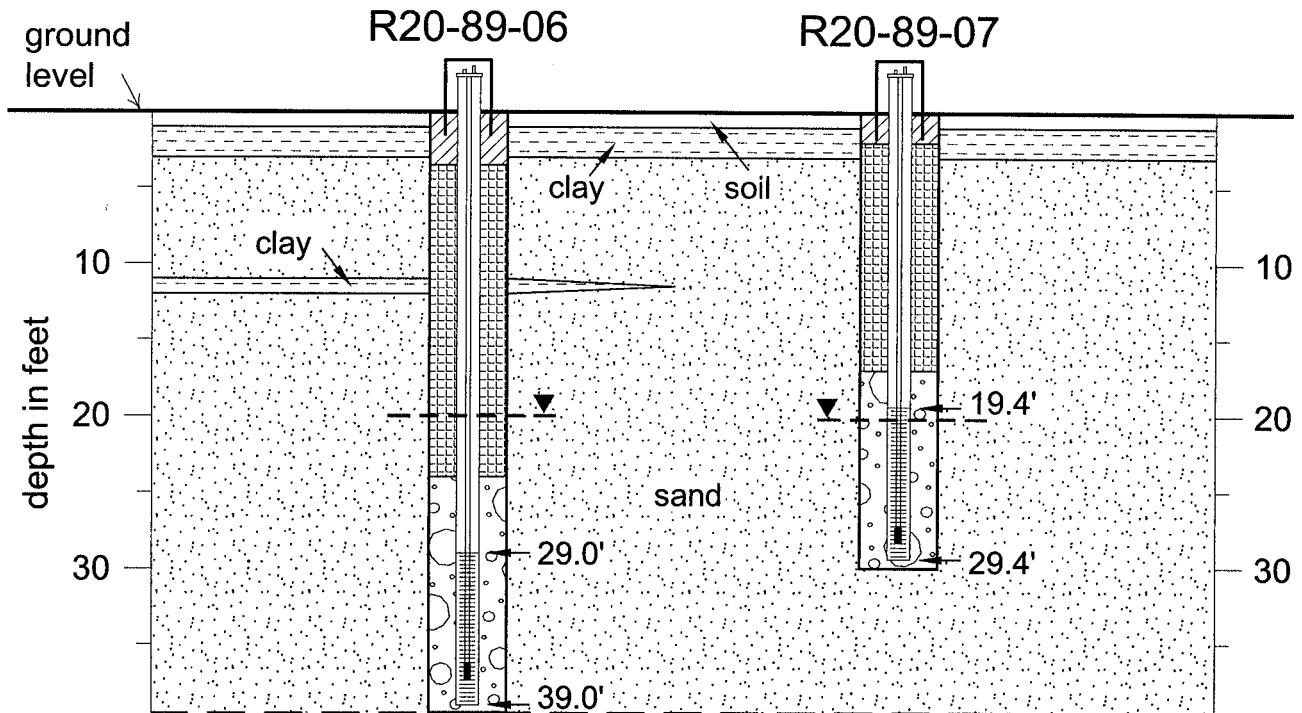



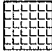


—▼— Water level on August 31, 1994

Bowdle aquifer

SW SW SW SW sec. 22, T. 119 N., R. 74 W. (near Lebanon, Potter County)

S ← → N

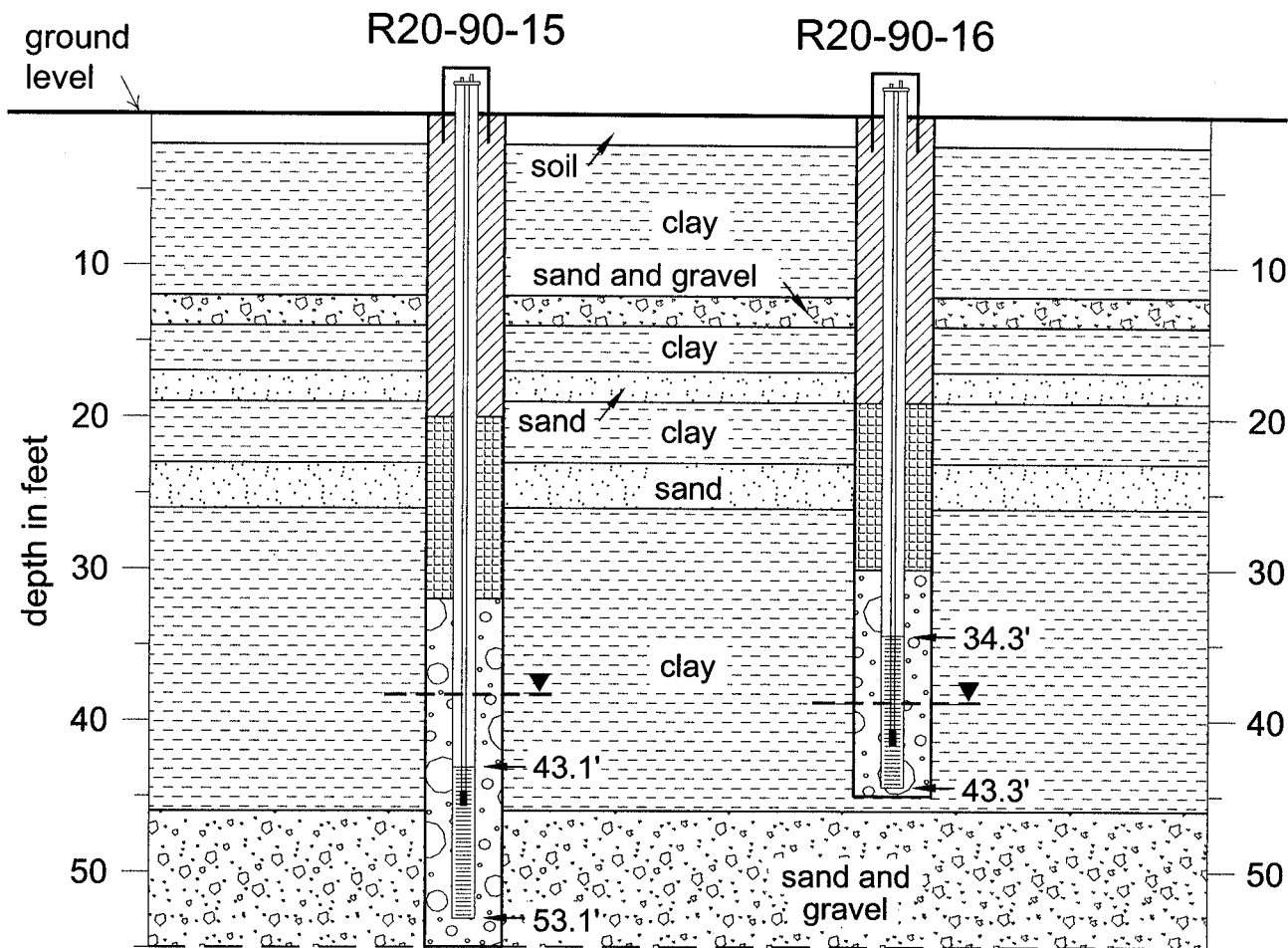


-  Neat cement
-  Granular bentonite
-  Native sediment (sand/gravel) and/or graded sand filter pack
-  Water level on August 31, 1994

Bowdle aquifer

SE SW SE SW sec. 4, T. 120 N., R. 74 W. (near Hoven, Potter County)

W ← → E



Neat cement



Granular bentonite



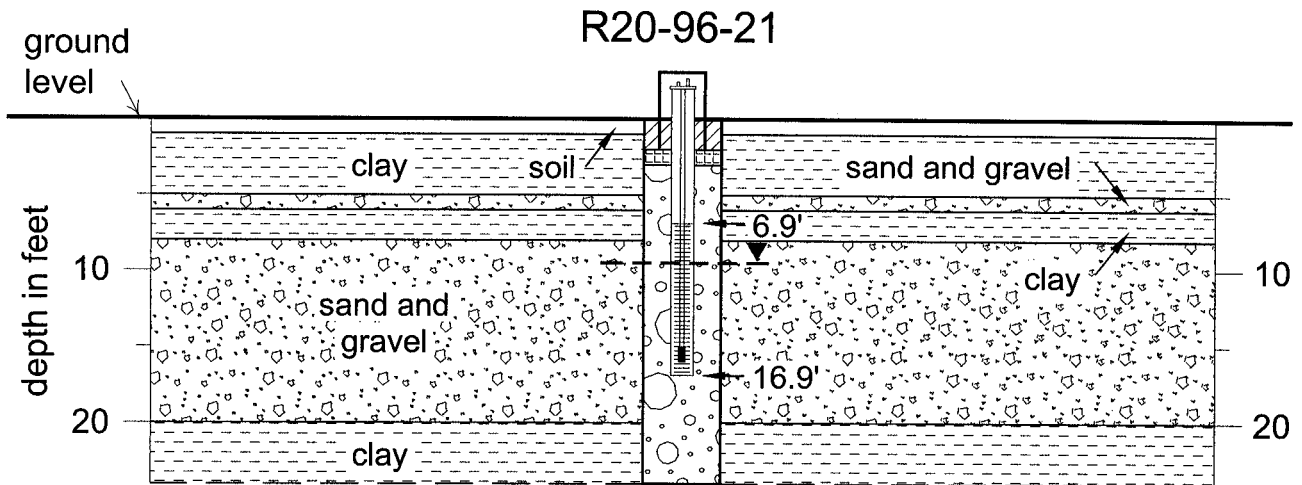
Native sediment (sand/gravel) and/or graded sand filter pack







Water level on August 31, 1994

Bowdle aquifer

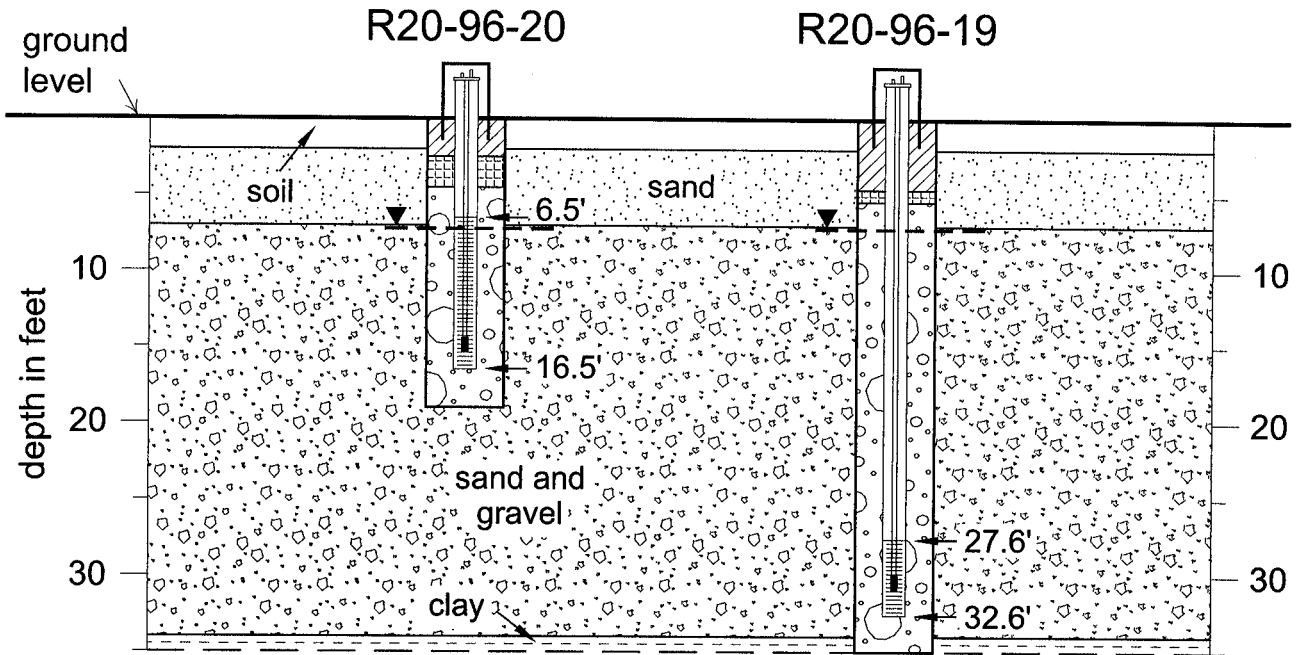
NE NE NE NE sec. 15, T. 121 N., R. 74 W.
(north of Hoven, Walworth County)



-  Neat cement
-  Granular bentonite
-  Native sediment (sand/gravel) and/or graded sand filter pack
-  — ▼ — Water level on August 20, 1996

Bowdle aquifer
SE NE SE NE sec. 24, T. 123 N., R. 74 W.
(west of Bowdle, Walworth County)

S ← → N



Neat cement



Granular bentonite

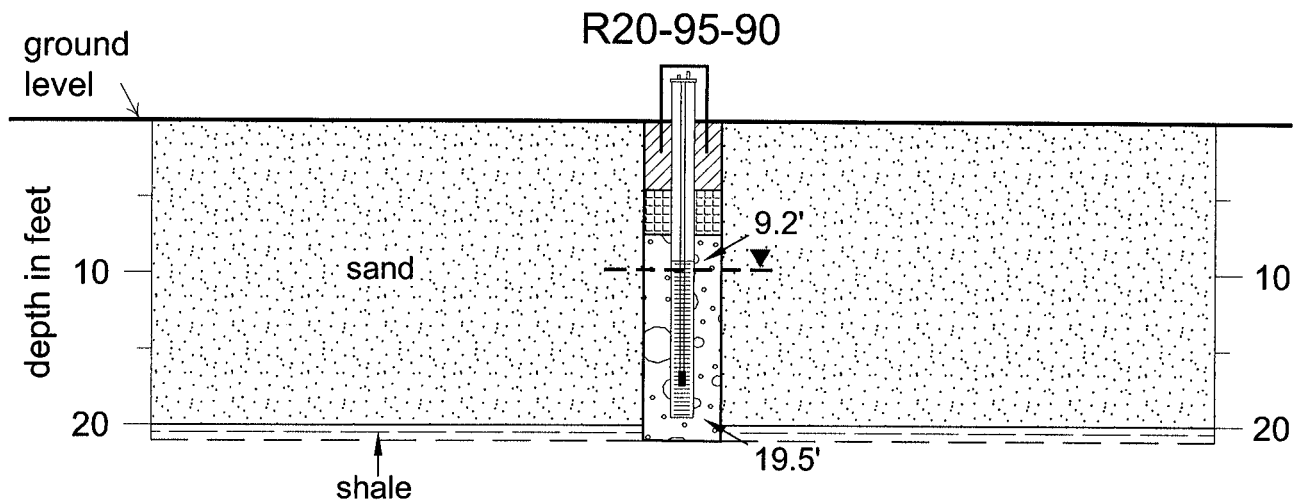



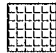
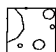

Native sediment (sand/gravel) and/or graded sand filter pack



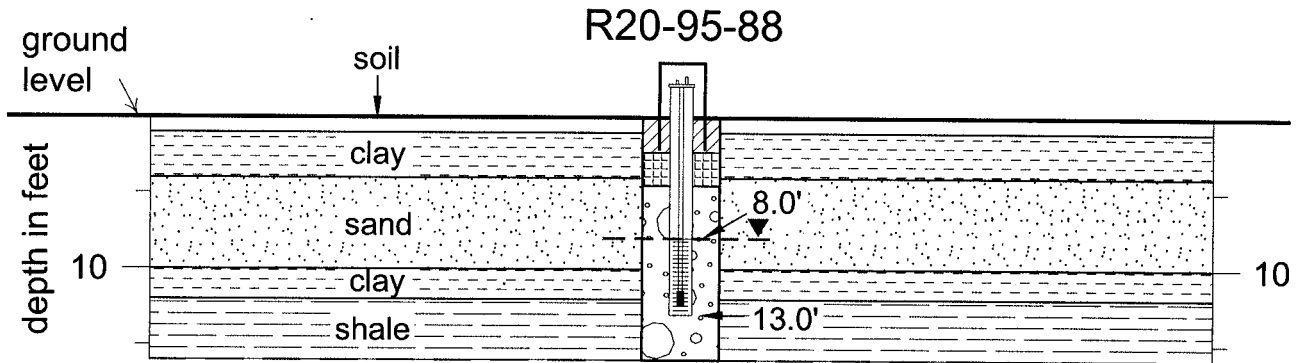
Water level on August 20, 1996

Cheyenne River aquifer
SE SE SW NE sec. 29, T. 6 S., R. 9 E.
(lower Cheyenne River, Custer County)



-  Neat cement
-  Granular bentonite
-  Native sediment (sand/gravel) and/or graded sand filter pack
-  Water level on October 16, 1995

Cheyenne River aquifer
SW NW NE NE sec. 28, T. 7 S., R. 7 E.
(upper Cheyenne River, Fall River County)



Neat cement



Granular bentonite



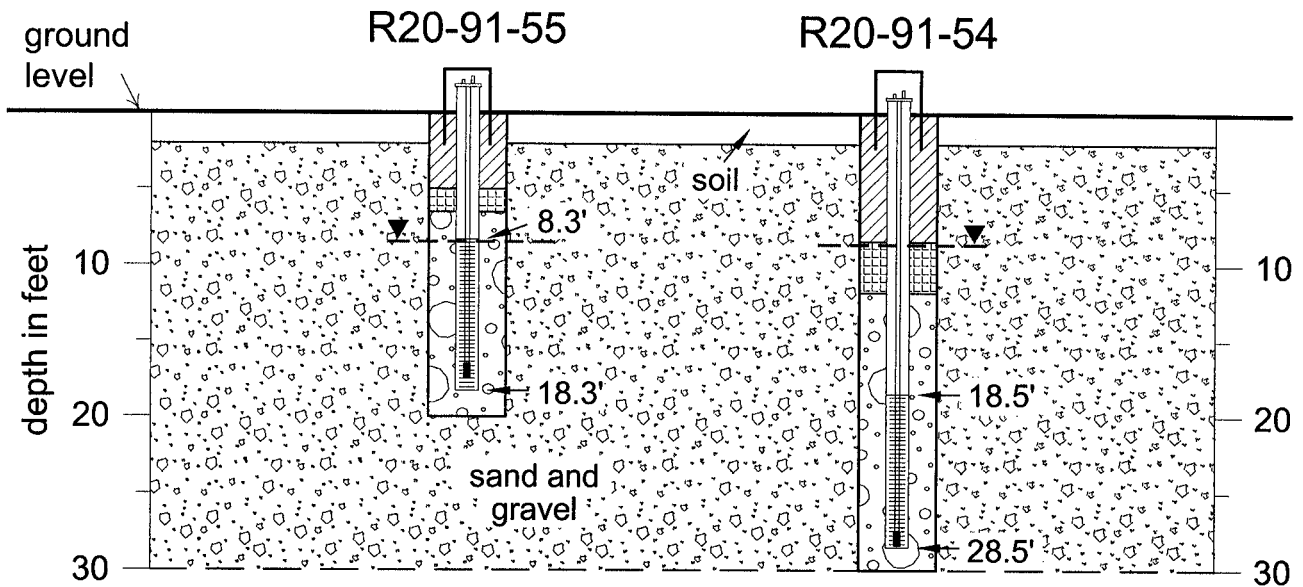
Native sediment (sand/gravel) and/or graded sand filter pack



Water level on October 16, 1995

Delmont aquifer
SE SE SE SW sec. 26, T. 98 N., R. 63 W.
(near Delmont, Douglas County)

W ← → E



Neat cement



Granular bentonite



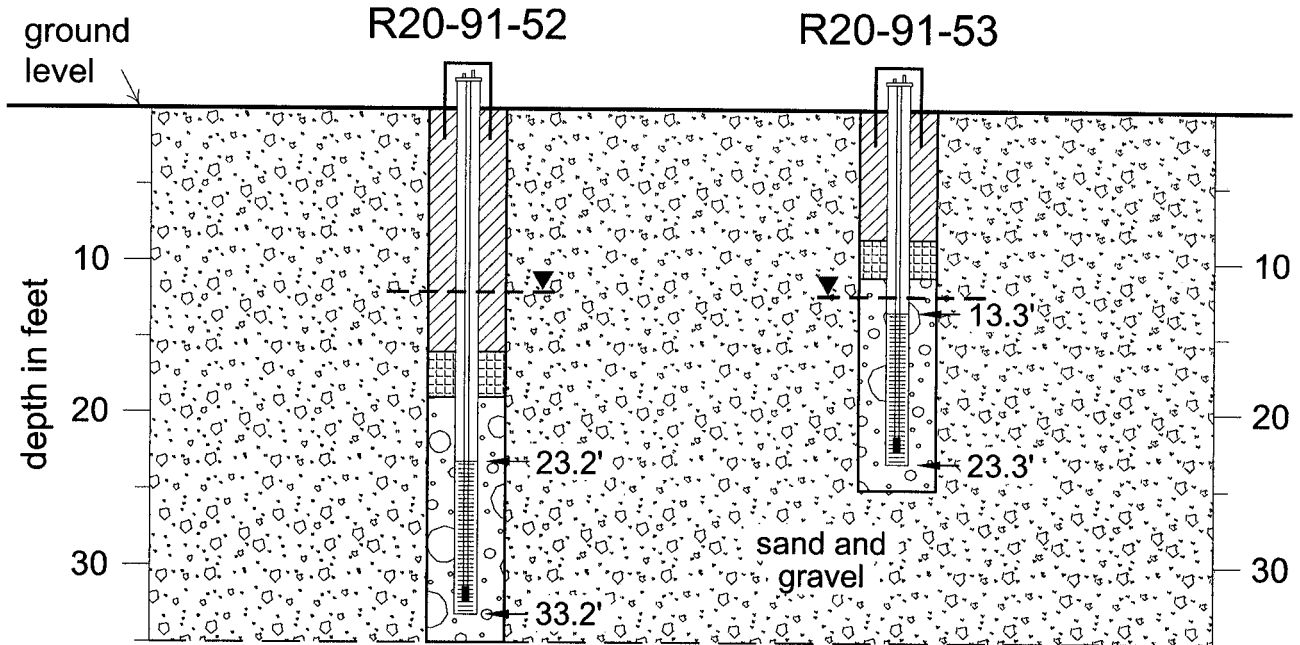
Native sediment (sand/gravel) and/or graded sand filter pack



Water level on August 30, 1994

Delmont aquifer
NE NE SE NE sec. 36, T. 98 N., R. 63 W.
(near Delmont, Douglas County)

S ← → N



Neat cement



Granular bentonite



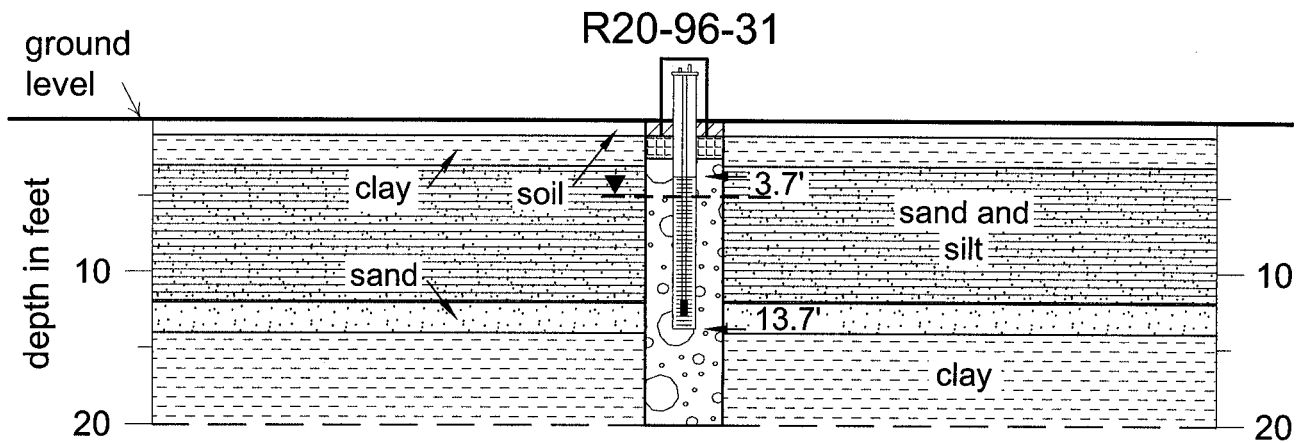
Native sediment (sand/gravel) and/or graded sand filter pack


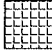




Water level on August 30, 1994

Highmore-Blunt aquifer

SW NW NW NW sec. 15, T. 112 N., R. 73 W.
(south of Holabird, Hyde County)

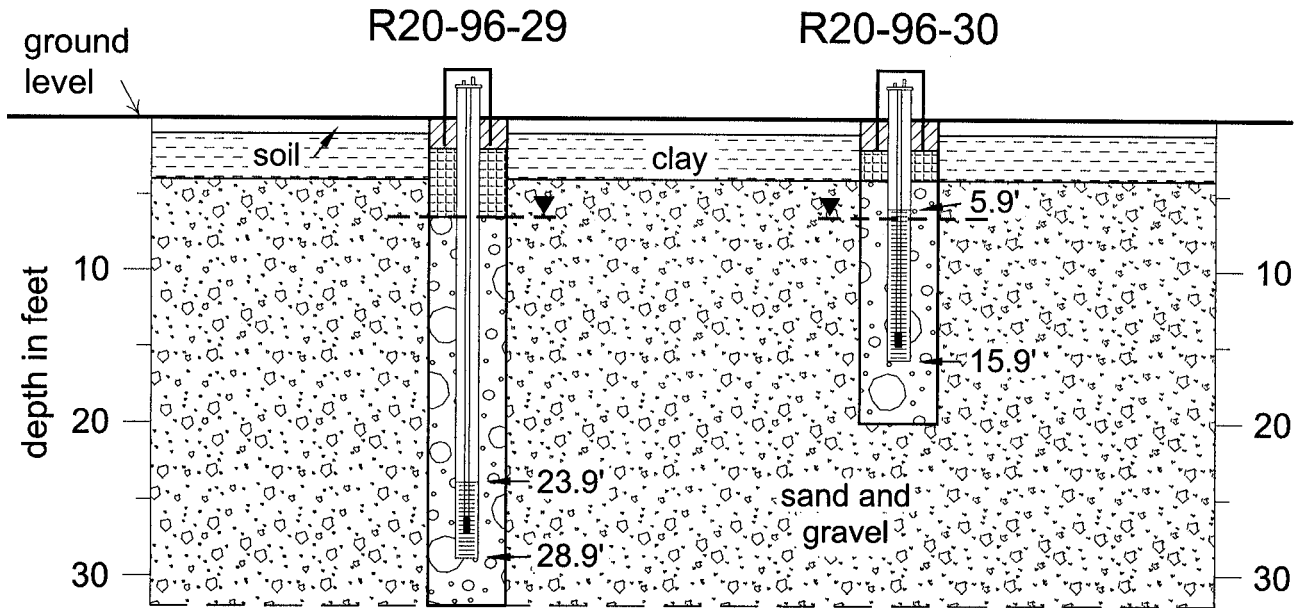


-  Neat cement
-  Granular bentonite
-  Native sediment (sand/gravel) and/or graded sand filter pack
-  Water level on August 20, 1996

Highmore-Blunt aquifer

NW SW NW NW sec. 2, T. 112 N., R. 76 W. (east of Blunt, Hughes County)

S ← → N



Neat cement



Granular bentonite

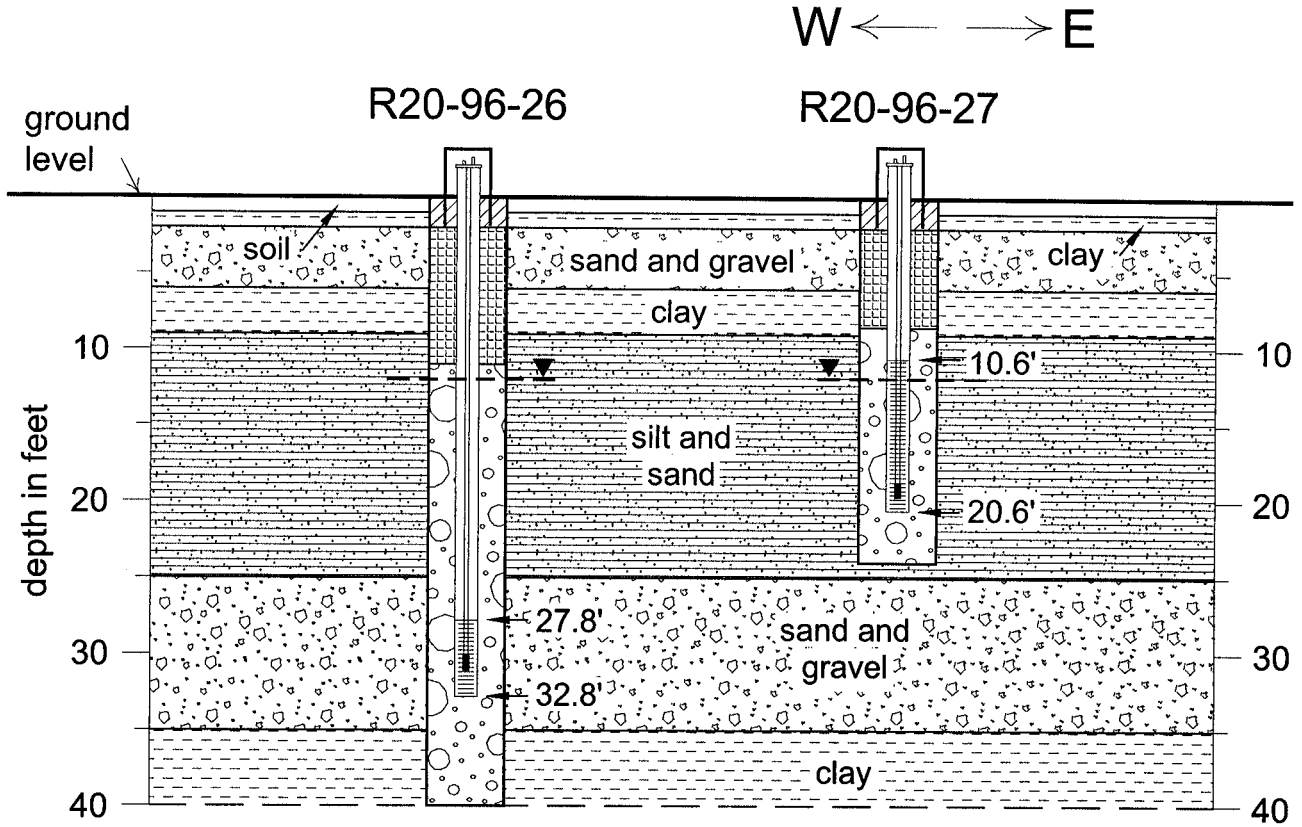


Native sediment (sand/gravel) and/or graded sand filter pack



Water level on August 20, 1996

Highmore-Blunt aquifer
 SW SW SW SW sec. 4, T. 114 N., R. 74 W.
 (east of Onida, Sully County)



Neat cement



Granular bentonite



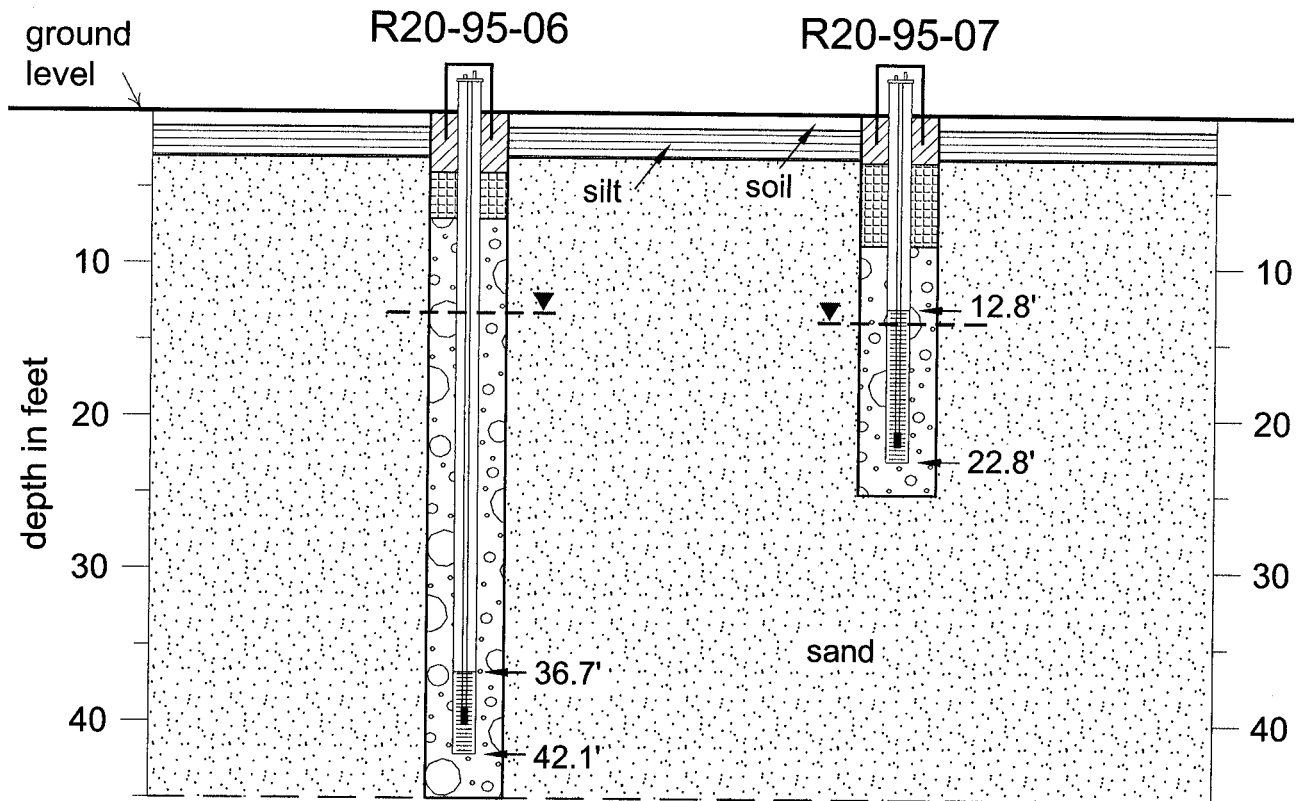
Native sediment (sand/gravel) and/or graded sand filter pack



Water level on August 20, 1996

Missouri aquifer
 SE SE SE NW sec. 14, T. 32 N., R. 4 E.
 (south of Vermillion, Clay County)

W ← → E



Neat cement



Granular bentonite



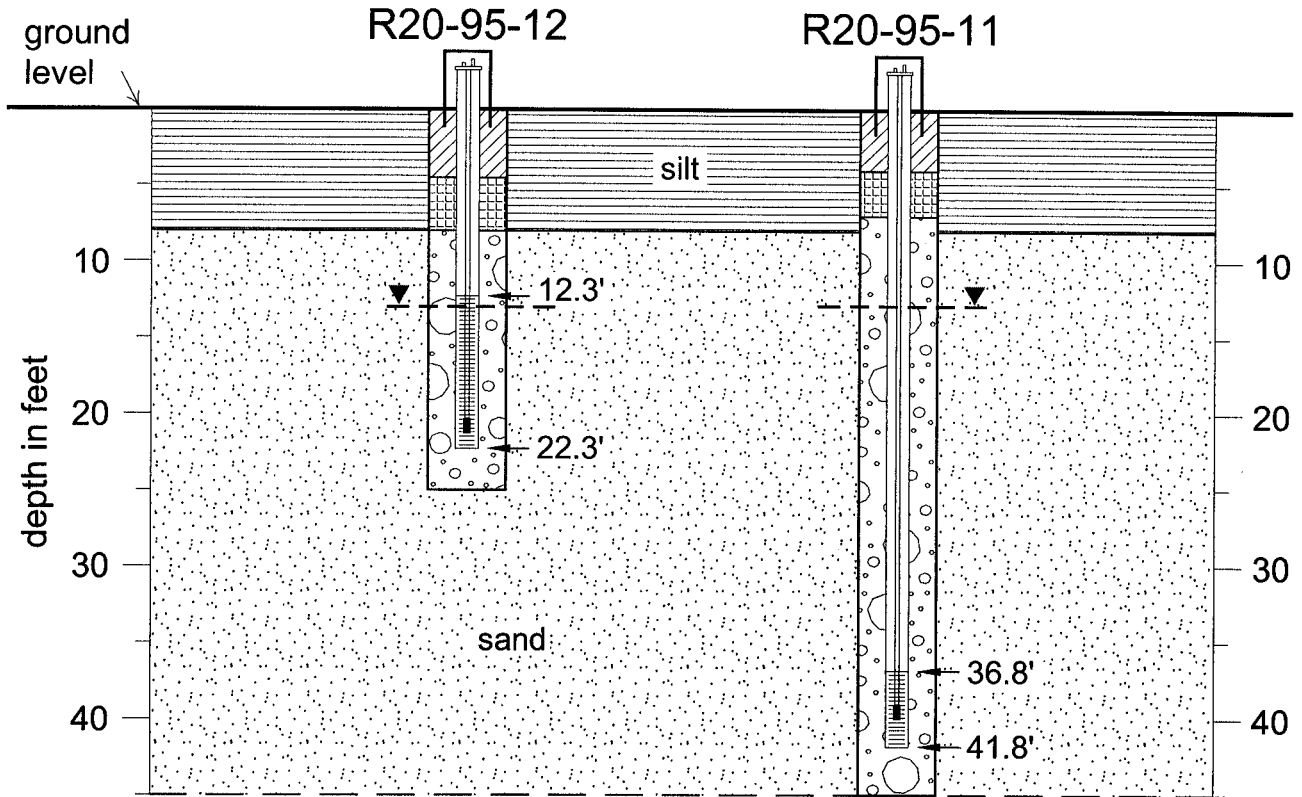
Native sediment (sand/gravel) and/or graded sand filter pack



Water level on July 7, 1995

Missouri aquifer
SW SW SW NW sec. 28, T. 90 N., R. 49 W.
(west of Jefferson, Union County)

S ← → N



Neat cement



Granular bentonite



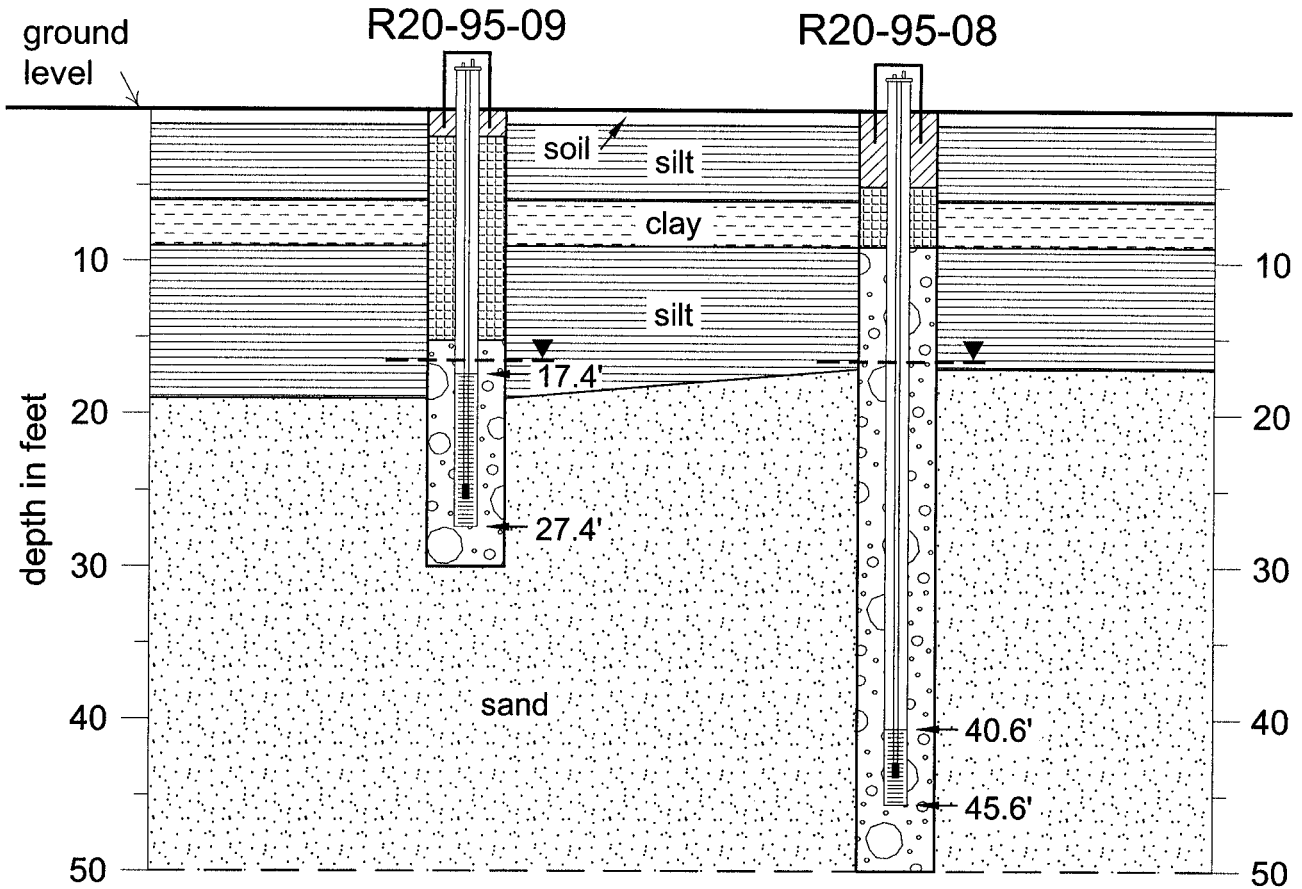
Native sediment (sand/gravel) and/or graded sand filter pack



Water level on May 29, 1996

Missouri aquifer
SW SW SW SW sec. 15, T. 91 N., R. 50 W.
(west of Elk Point, Union County)

S ← → N



Neat cement



Granular bentonite



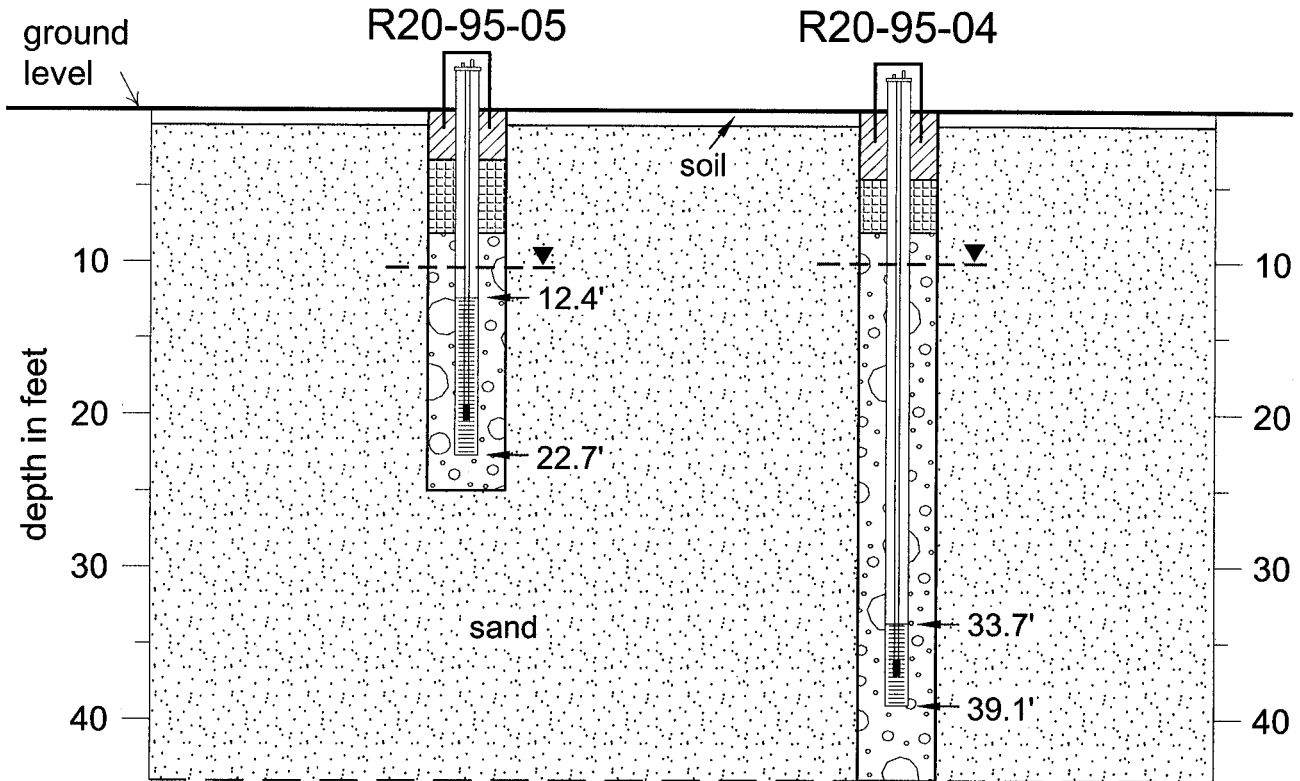
Native sediment (sand/gravel) and/or graded sand filter pack



Water level on June 5, 1995

Missouri aquifer
SW SW SE NE sec. 35, T. 93 N., R. 54 W.
(south of Gayville, Yankton County)

W ← → E



Neat cement



Granular bentonite



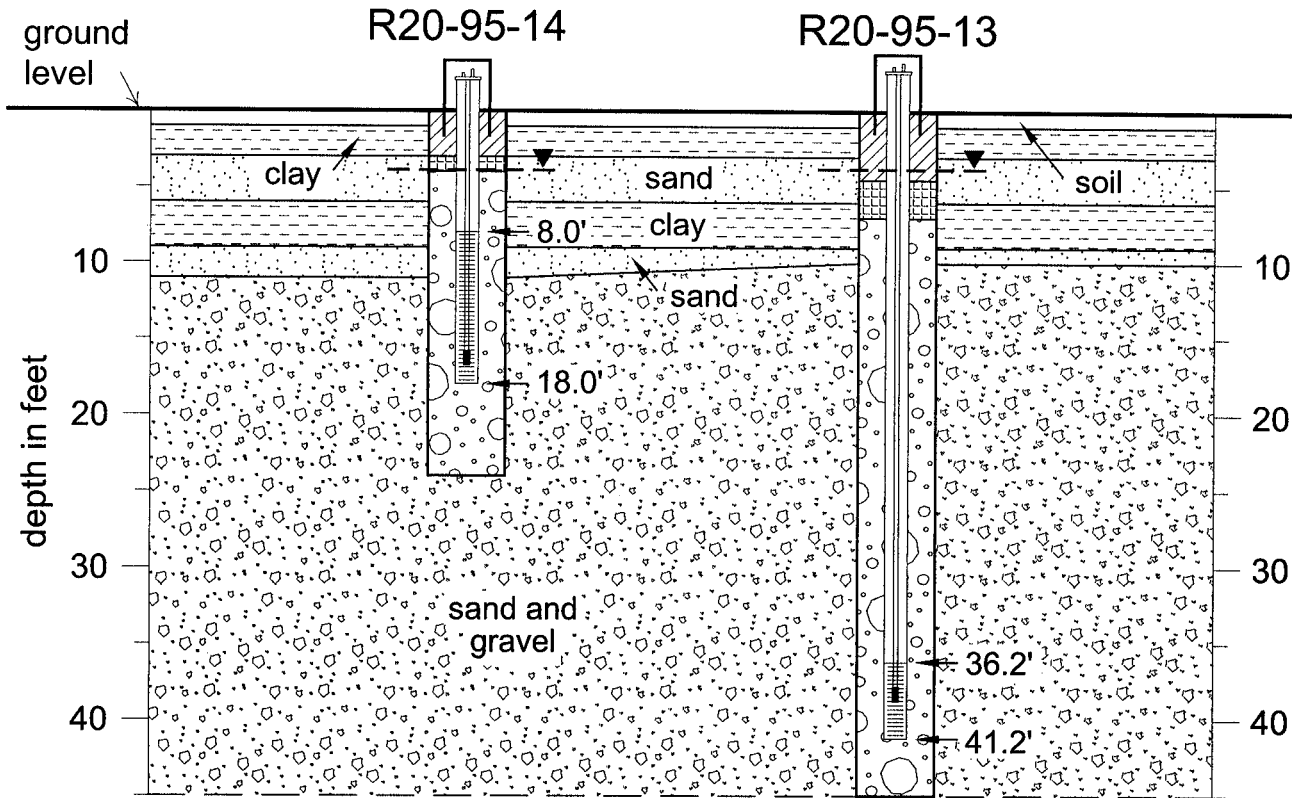
Native sediment (sand/gravel) and/or graded sand filter pack



Water level on August 23, 1995

Missouri aquifer
NE NE NE NE sec. 17, T. 94 N., R. 54 W.
(west of Volin, Yankton County)

W ← → E



Neat cement



Granular bentonite



Native sediment (sand/gravel) and/or graded sand filter pack

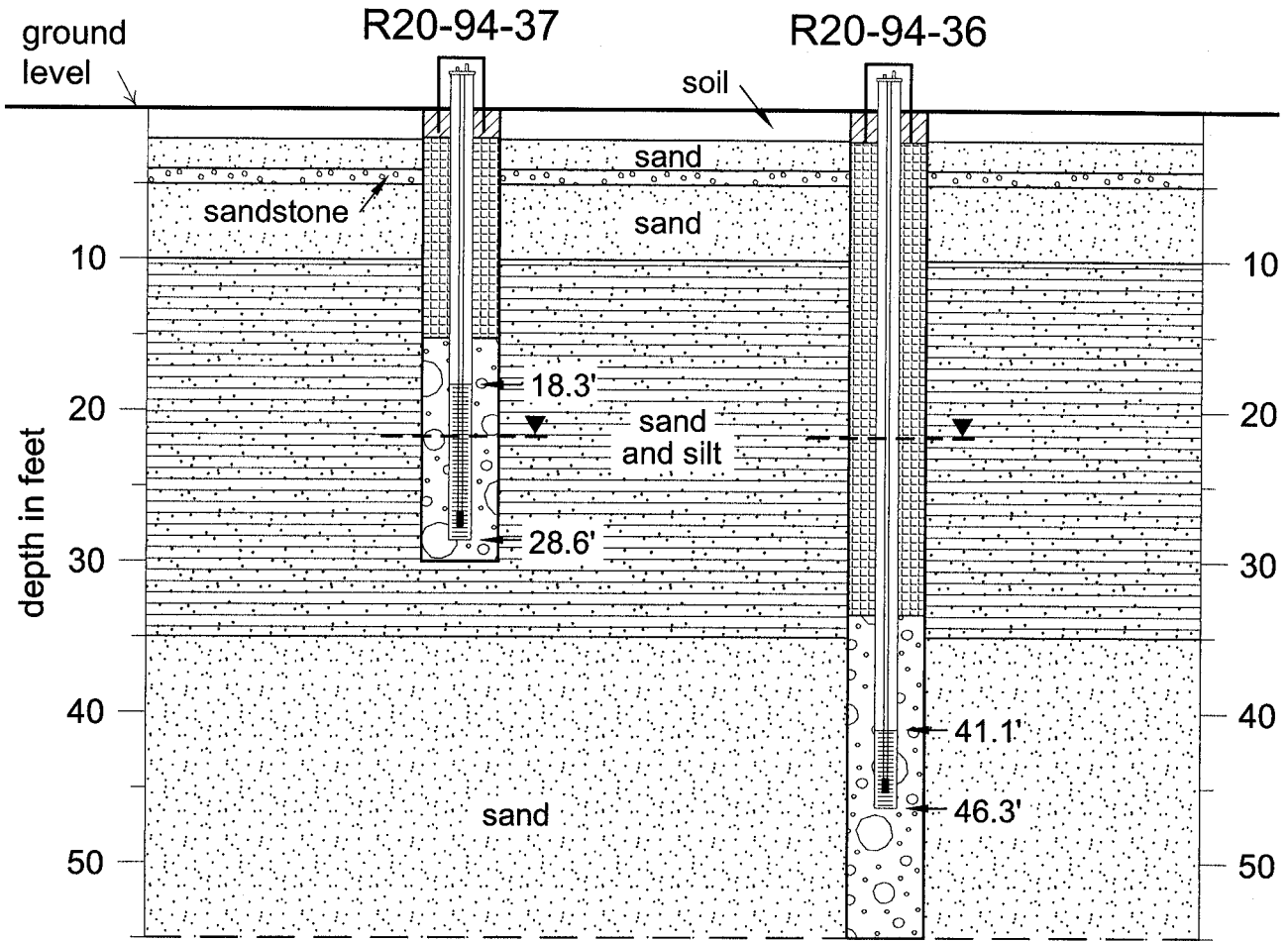


Water level on July 11, 1995

Ogallala aquifer

SE SE SE SE sec. 6, T. 35 N., R. 30 W. (south of St. Francis, Todd County)

W ← → E



Neat cement



Granular bentonite



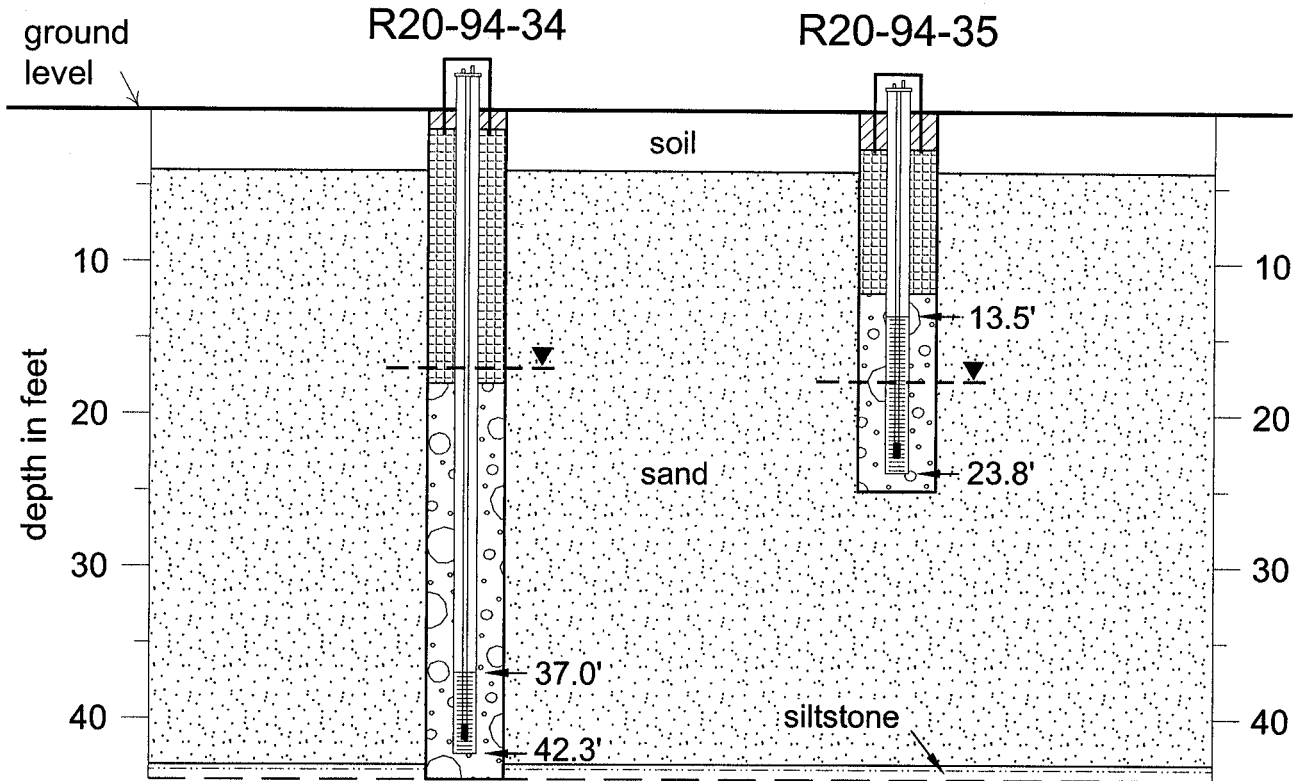
Native sediment (sand/gravel) and/or graded sand filter pack



Water level on May 9, 1995

Ogallala aquifer
SE SE SE NE sec. 29, T. 36 N., R. 29 W.
(south of Lakeview, Todd County)

S ← → N



Neat cement



Granular bentonite



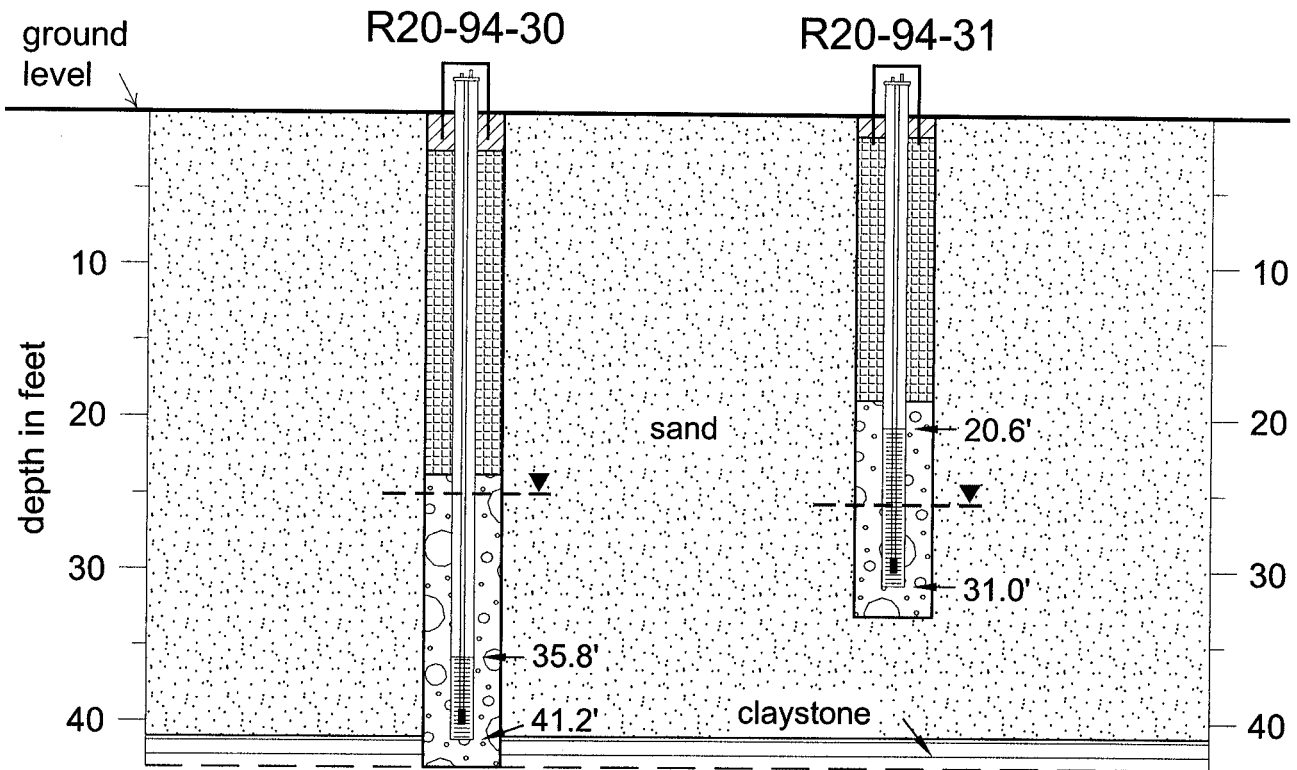
Native sediment (sand/gravel) and/or graded sand filter pack



Water level on May 16, 1995

Ogallala aquifer
 SE SE SE SE sec. 17, T. 37 N., R. 34 W.
 (south of Vetal, Bennett County)

W ← → E



Neat cement



Granular bentonite



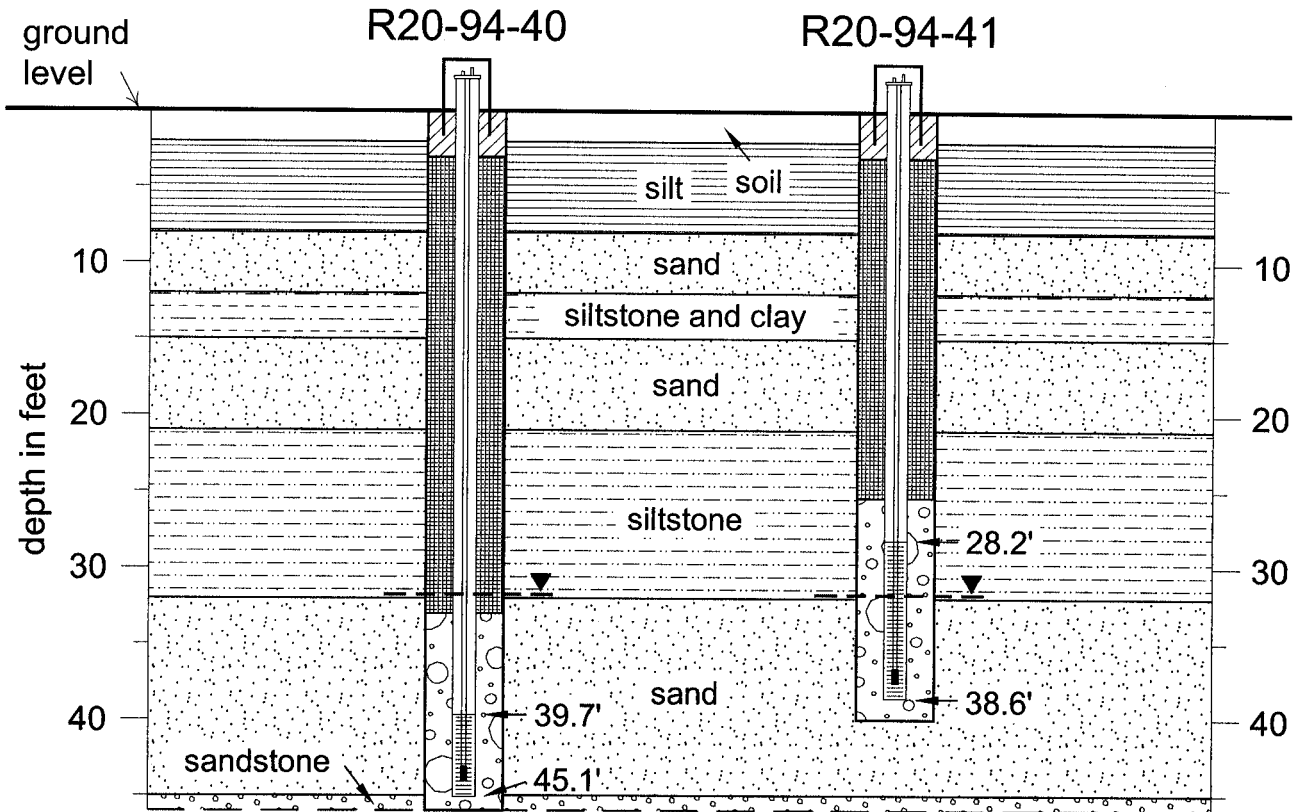
Native sediment (sand/gravel) and/or graded sand filter pack


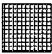




Water level on May 8, 1995

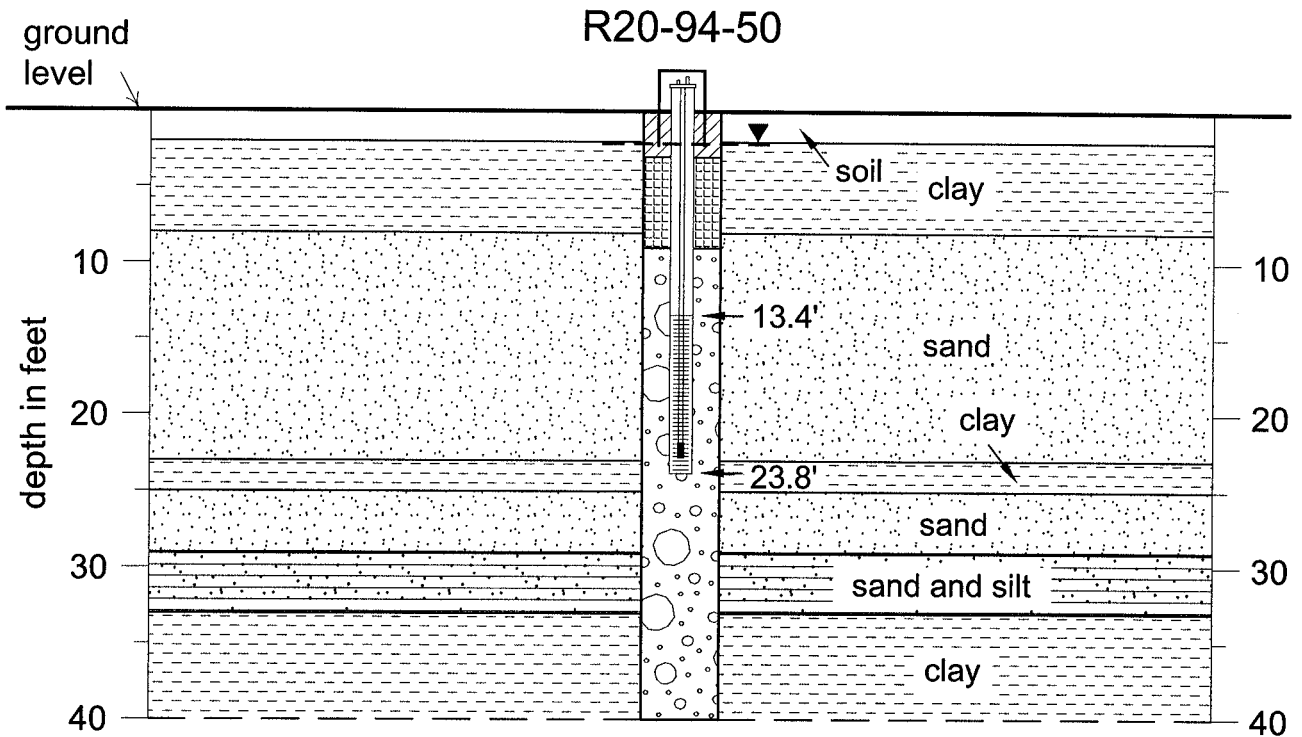
Ogallala aquifer
 NW NW NW NW sec. 29, T. 95 N., R. 76 W.
 (west of Wewela, Tripp County)


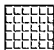


W ← → E



-  Neat cement
-  Bentonite slurry
-  Native sediment (sand/gravel) and/or graded sand filter pack
-  Water level on May 16, 1995

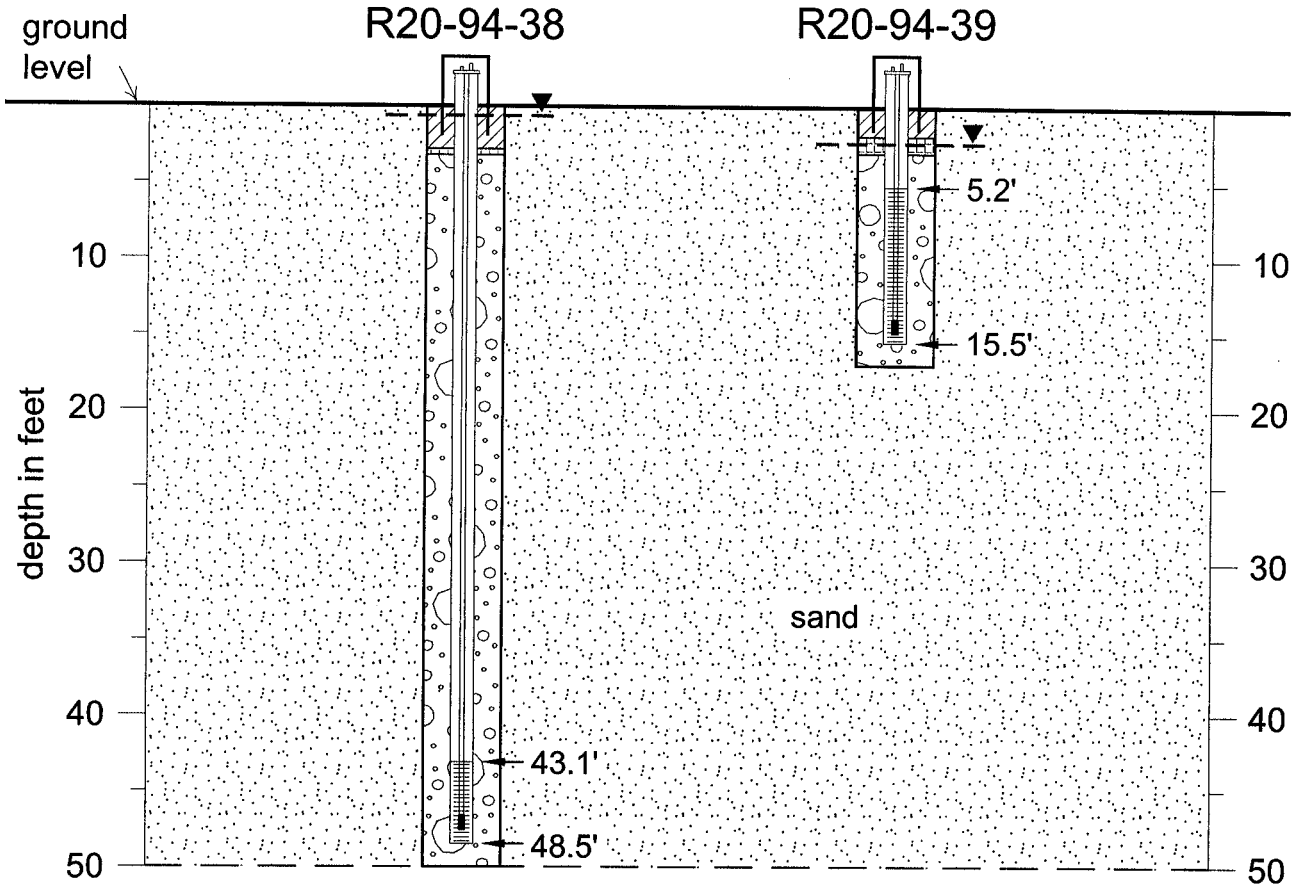
Ogallala aquifer
 NW SW SW NW sec. 6, T. 96 N., R. 71 W.
 (near Burke, Gregory County)



-  Neat cement
-  Granular bentonite
-  Native sediment (sand/gravel) and/or graded sand filter pack
-  Water level on May 17, 1995

Ogallala aquifer
NW NW NW NW sec. 23, T. 97 N., R. 77 W.
(south of Winner, Tripp County)

S ← → N



Neat cement



Granular bentonite



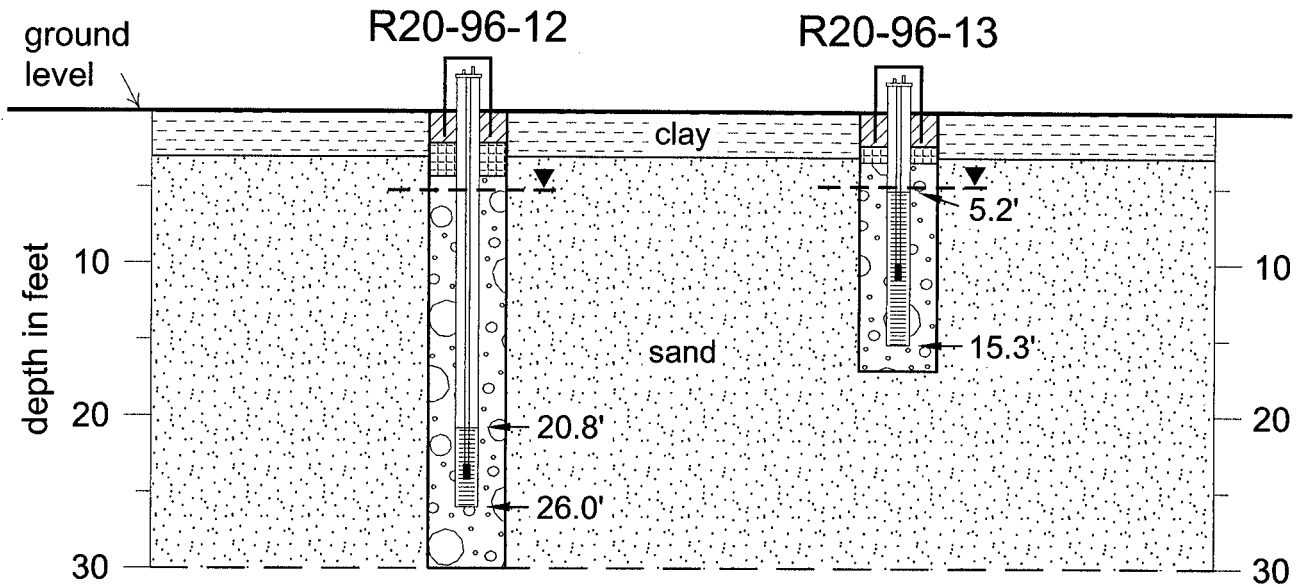
Native sediment (sand/gravel) and/or graded sand filter pack



Water level on May 10, 1995

Parker-Centerville aquifer
SW SW SW SW sec. 2, T. 95 N., R. 52 W.
(south of Centerville, Clay County)

W ← → E



Neat cement



Granular bentonite



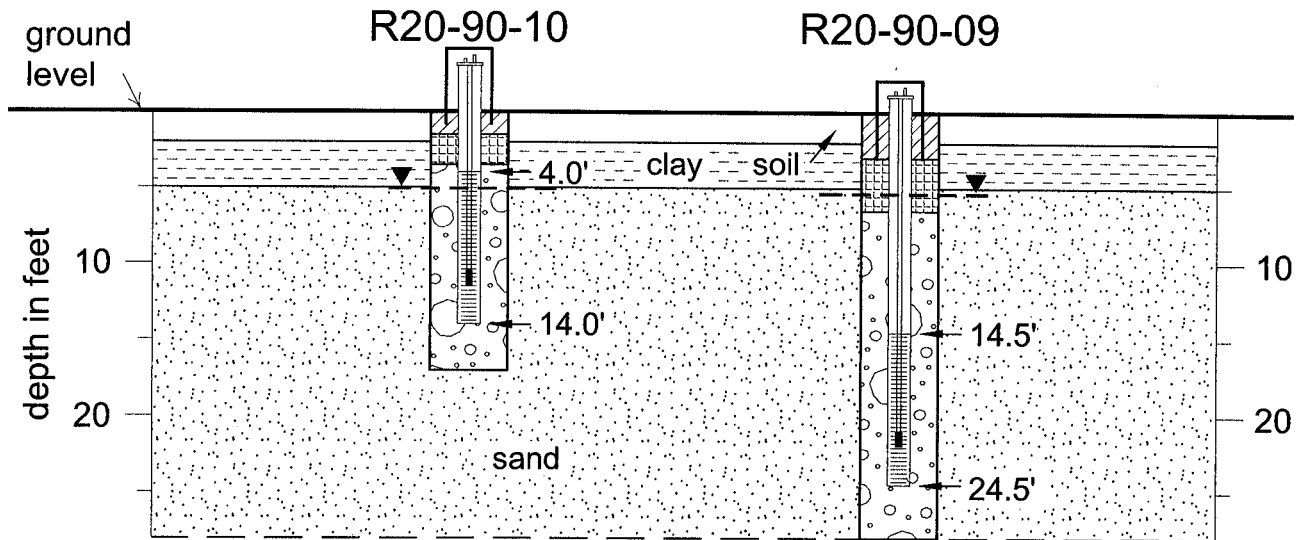
Native sediment (sand/gravel) and/or graded sand filter pack



Water level on August 19, 1996

Parker-Centerville aquifer
NW NW NW NW sec. 24, T. 97 N., R. 52 W.
(southeast of Davis, Turner County)

W ← → E



Neat cement



Granular bentonite

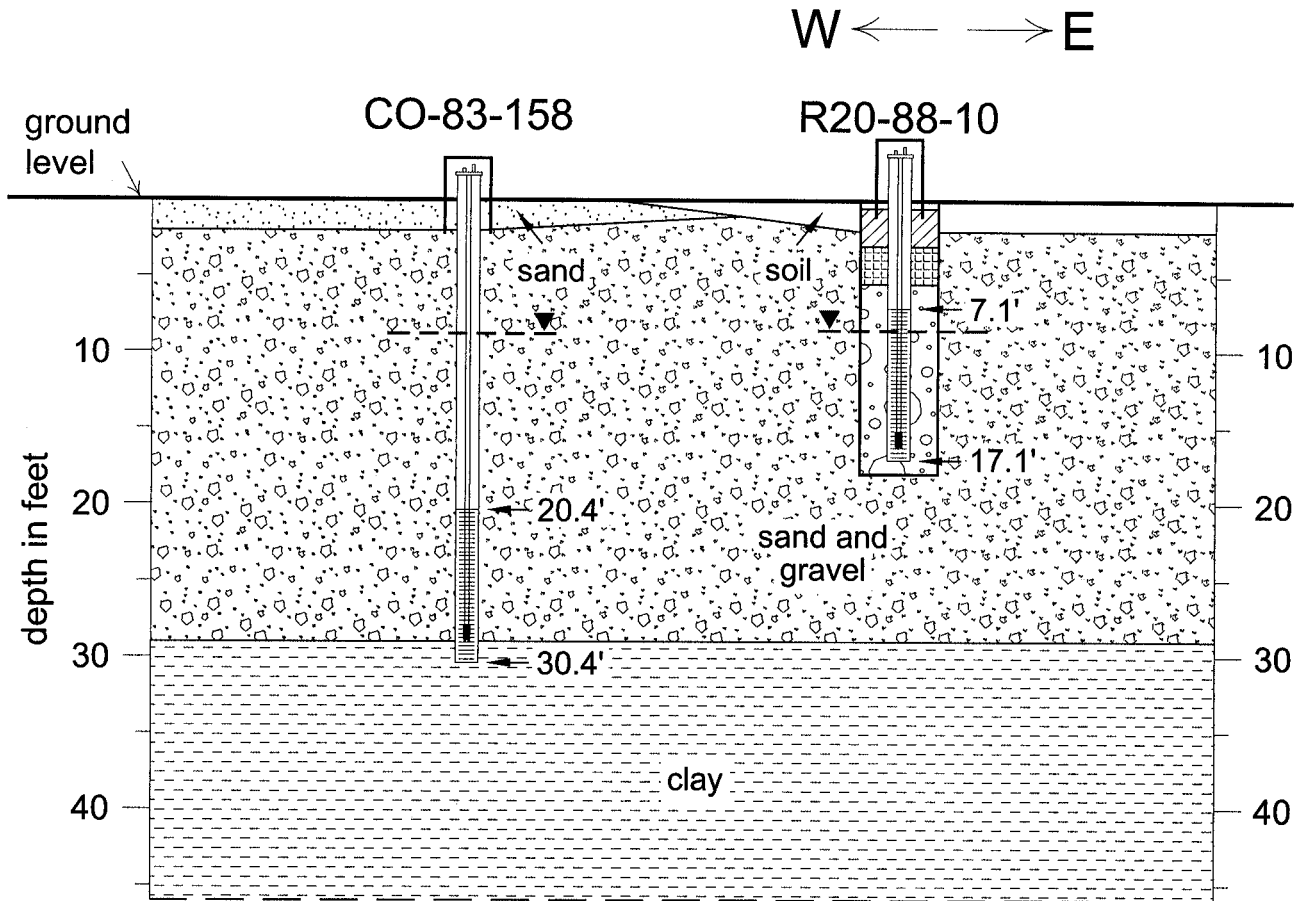






Native sediment (sand/gravel) and/or graded sand filter pack



Water level on September 8, 1994

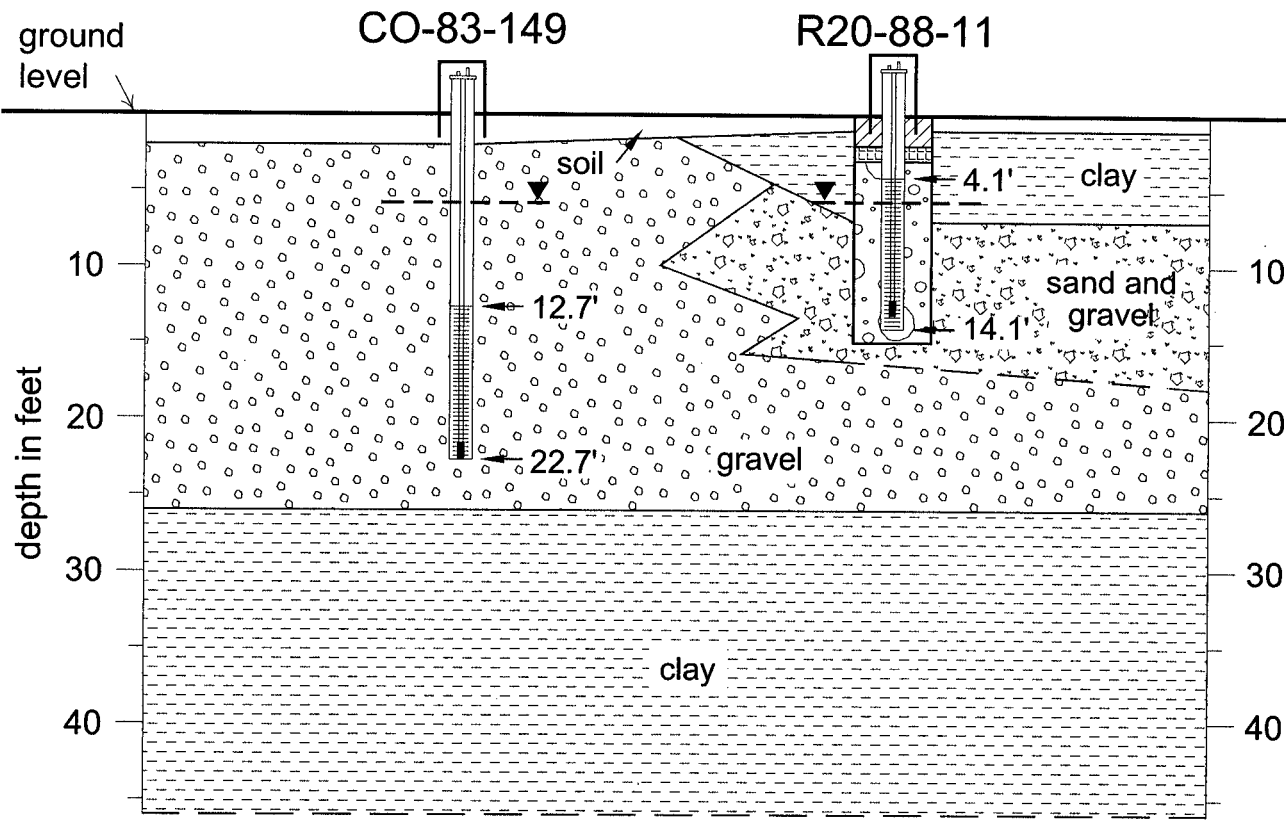
Parker-Centerville aquifer
 SE SE SE SW sec. 18, T. 98 N., R. 52 W.
 (near Hurley, Turner County)



-  Neat cement
-  Granular bentonite
-  Native sediment (sand/gravel) and/or graded sand filter pack
-  Water level on September 7, 1994

Parker-Centerville aquifer
NE NE NE NE sec. 29, T. 98 N., R. 52 W.
(near Davis, Turner County)

W ← → E



Neat cement



Granular bentonite



Native sediment (sand/gravel) and/or graded sand filter pack

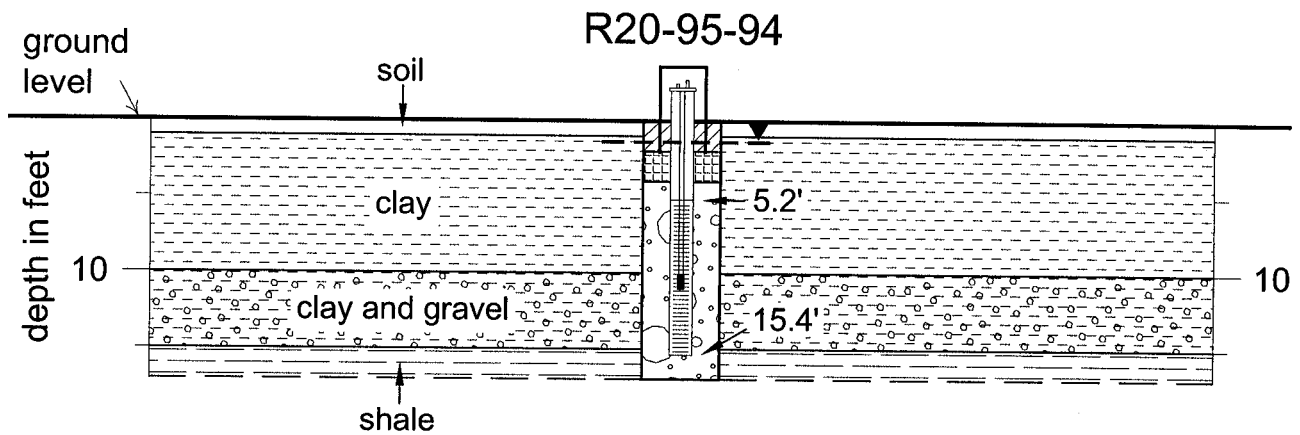


Water level on September 8, 1994

Rapid Creek aquifer

NW NE SW SE sec. 19, T. 1 N., R. 9 E.

(upper Rapid Creek, Pennington County)



Neat cement



Granular bentonite

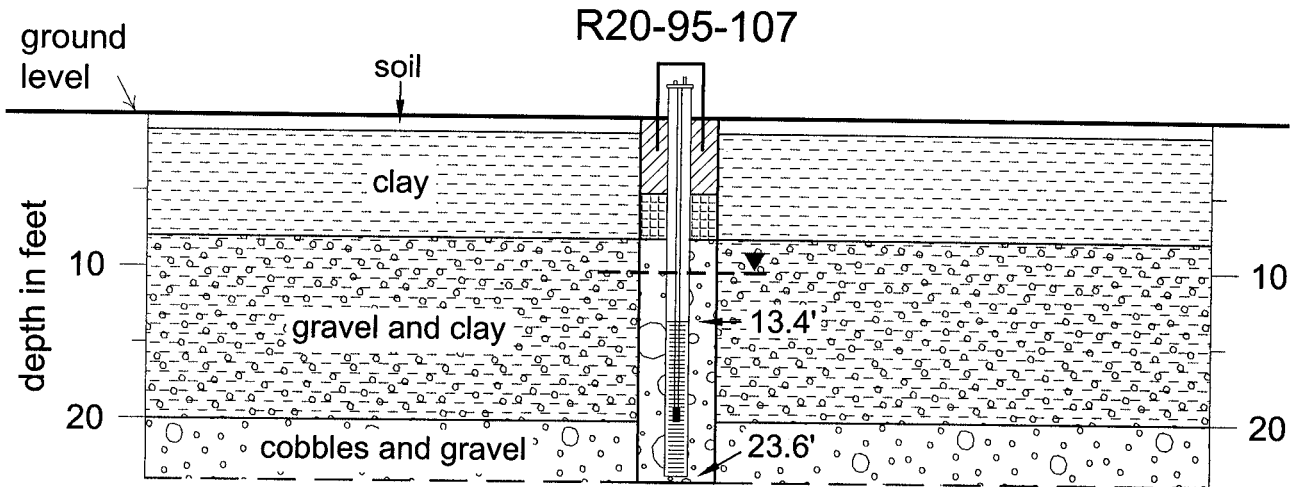


Native sediment (sand/gravel) and/or graded sand filter pack



Water level on February 15, 1996

Rapid Creek aquifer
NW NW NW NW sec. 30, T. 1 S., R. 11 E.
(lower Rapid Creek, Pennington County)



Neat cement



Granular bentonite



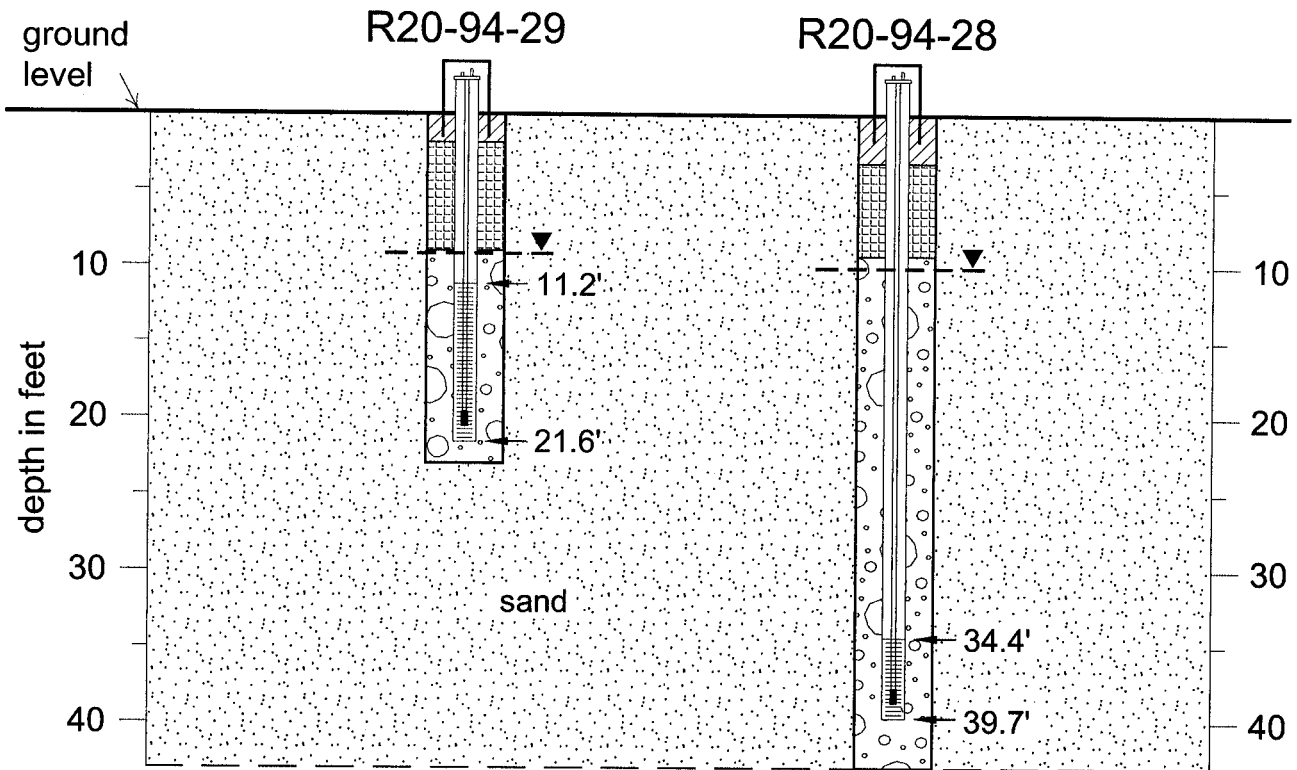
Native sediment (sand/gravel) and/or graded sand filter pack



Water level on February 15, 1996

Sand Hills aquifer
 SW SE SE NW sec. 7, T. 35 N., R. 35 W.
 (south of Tuthill, Bennett County)

S ← → N



Neat cement



Granular bentonite



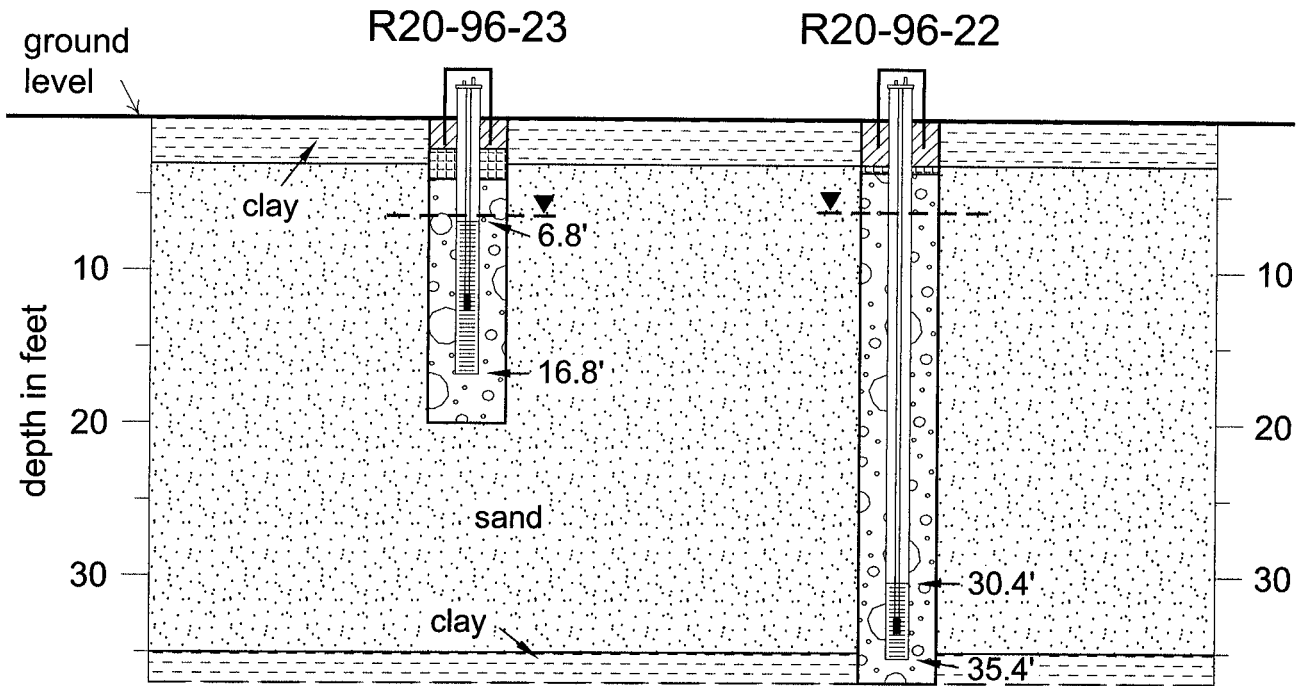
Native sediment (sand/gravel) and/or graded sand filter pack



Water level on May 17, 1995

Selby aquifer
SW SE SE SE sec. 16, T. 126 N., R. 76 W.
(east of Mound City, Campbell County)

W ← → E



Neat cement



Granular bentonite



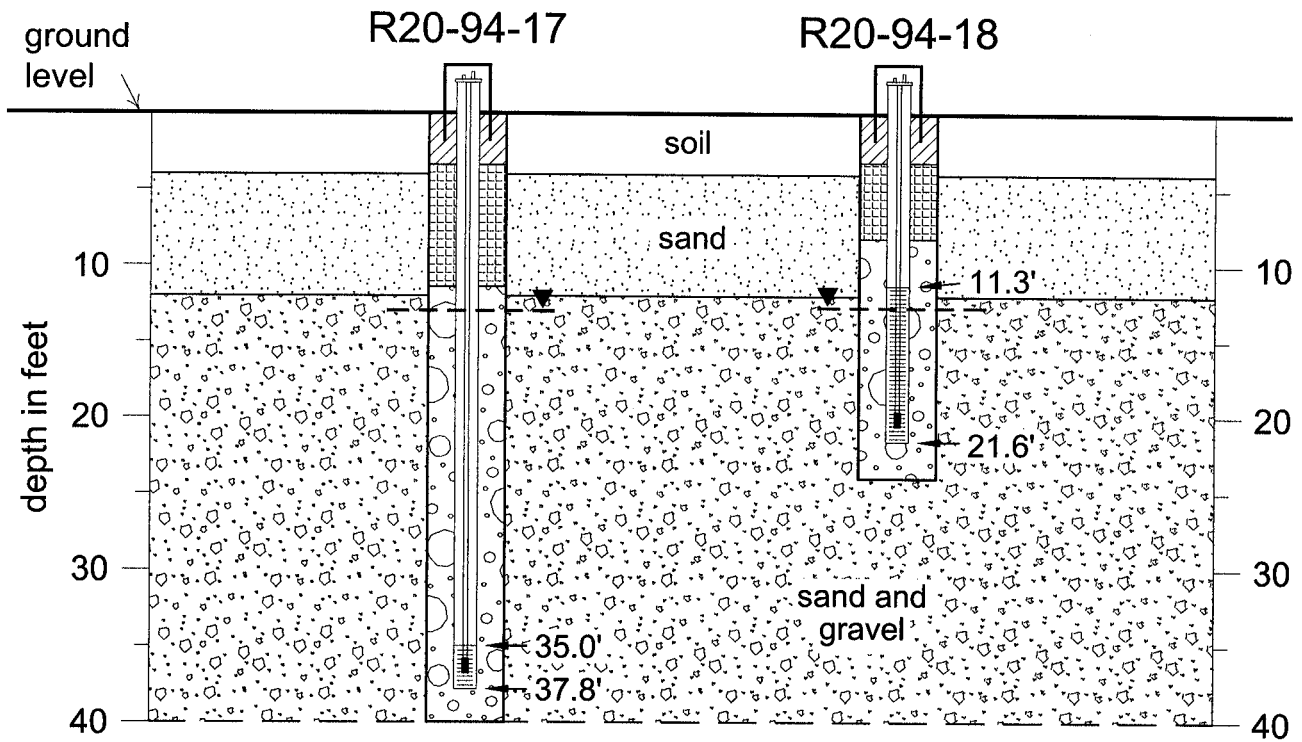
Native sediment (sand/gravel) and/or graded sand filter pack



Water level on August 20, 1996

Skunk Creek aquifer
NW NW NE NE sec. 18, T. 101 N., R. 50 W.
(west of Sioux Falls, Minnehaha County)

W ← → E



Neat cement



Granular bentonite



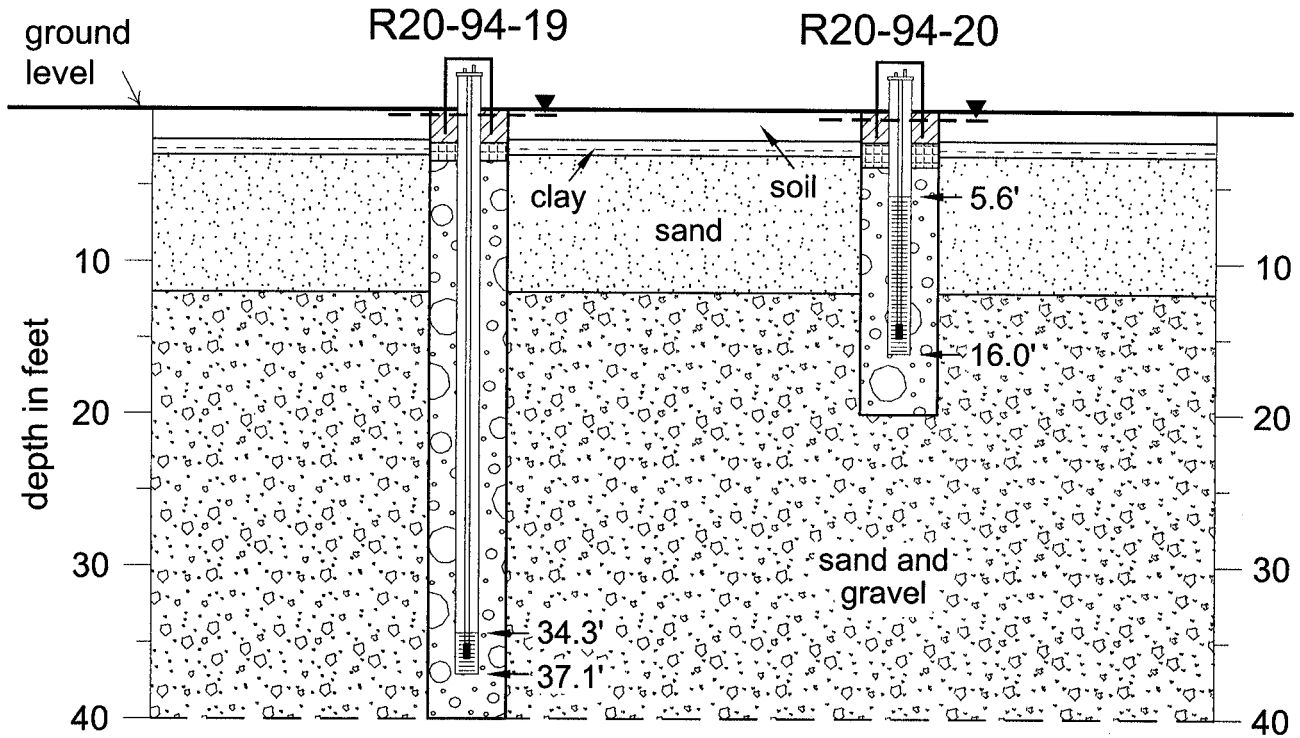
Native sediment (sand/gravel) and/or graded sand filter pack







Water level on April 25, 1995

Skunk Creek aquifer
SE SE SW NE sec. 25, T. 103 N., R. 51 W.
(northwest of Sioux Falls, Minnehaha County)

W ← → E

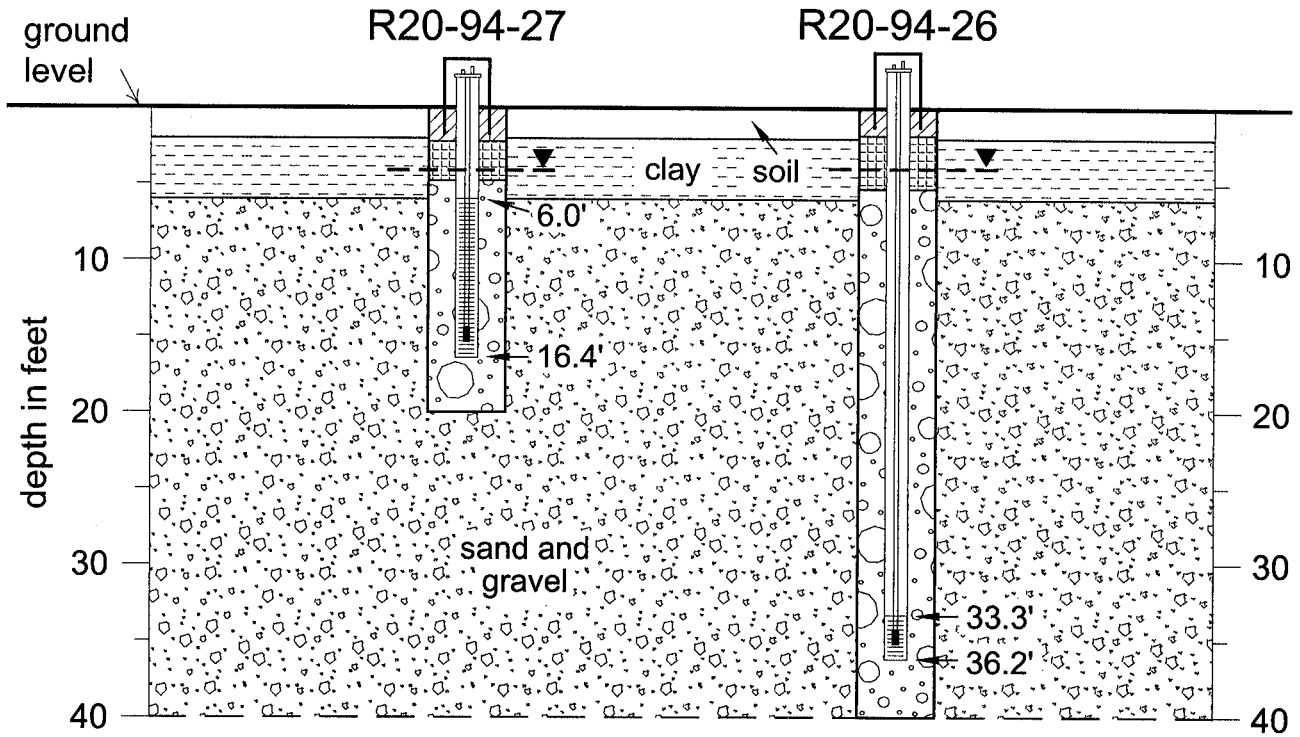


-  Neat cement
-  Granular bentonite
-  Native sediment (sand/gravel) and/or graded sand filter pack
-  —▼— Water level on April 25, 1995

Skunk Creek aquifer

NE NE NE SE sec. 23, T. 105 N., R. 51 W.
(near Chester, Lake County)

S ← → N



Neat cement



Granular bentonite



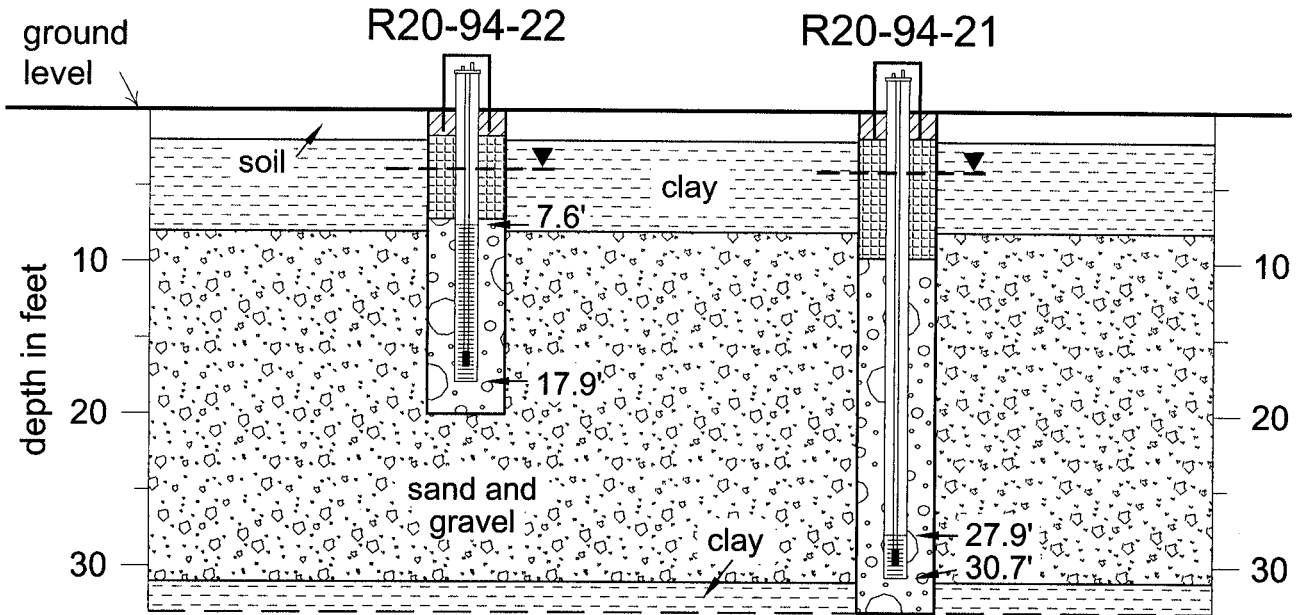
Native sediment (sand/gravel) and/or graded sand filter pack



Water level on April 25, 1995

Skunk Creek aquifer
NE NE NE SE sec. 8, T. 106 N., R. 52 W.
(near Madison, Lake County)

W ← → E



Neat cement



Granular bentonite

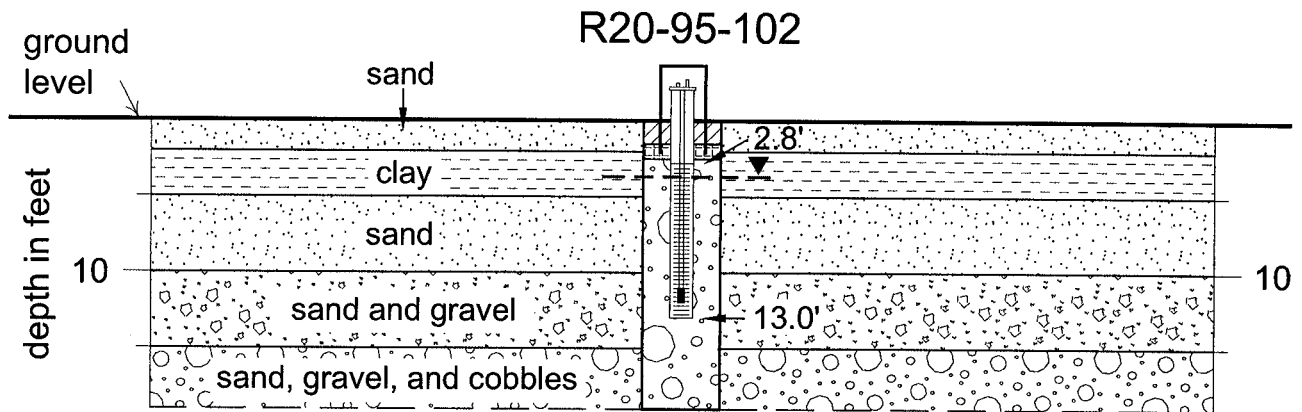






Native sediment (sand/gravel) and/or graded sand filter pack



Water level on April 25, 1995

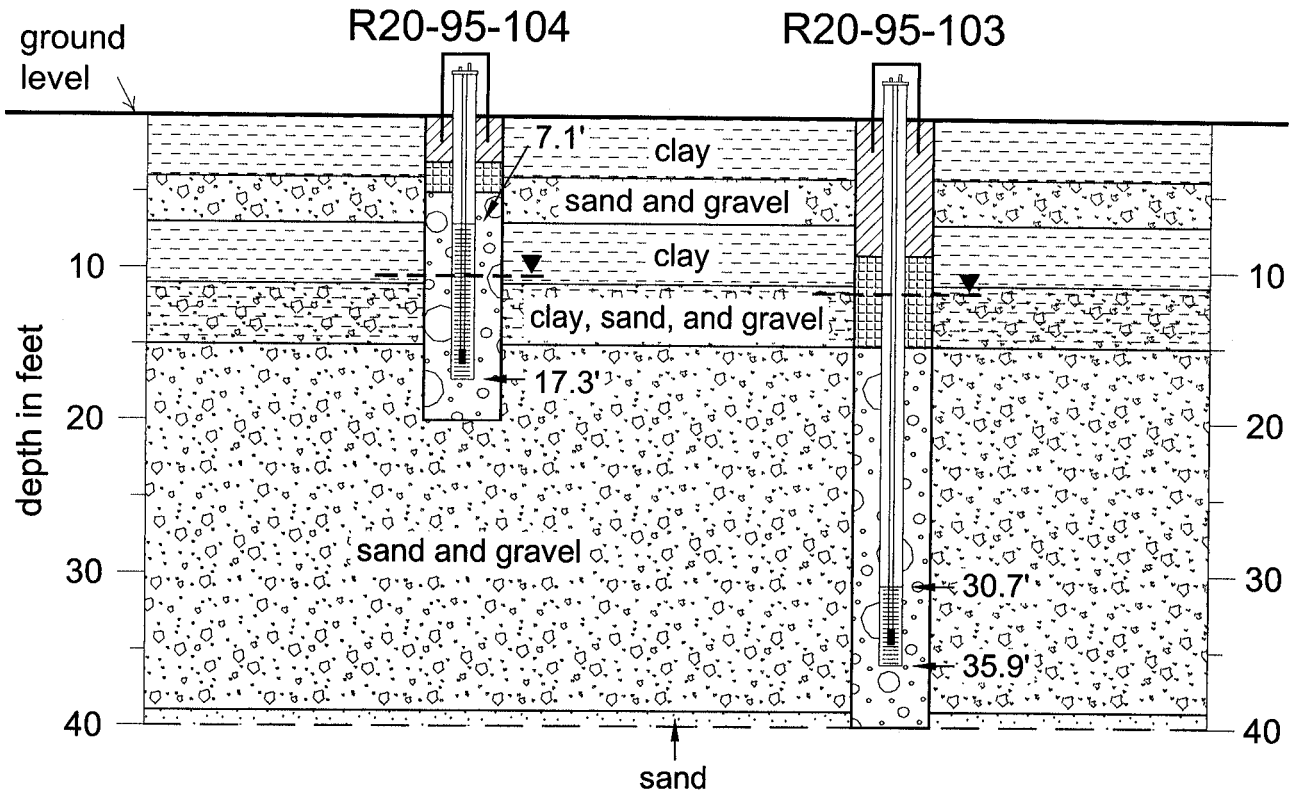
Spearfish Creek aquifer
 SW NE NW NW sec. 9, T. 7 N., R. 2 E.
 (lower Spearfish Creek, Lawrence County)



-  Neat cement
-  Granular bentonite
-  Native sediment (sand/gravel) and/or graded sand filter pack
-  --▼-- Water level on November 8, 1995

Spearfish Creek aquifer
NE NE SE SE sec. 33, T. 7 N., R. 2 E.
(upper Spearfish Creek, Lawrence County)

W ← → E



Neat cement



Granular bentonite



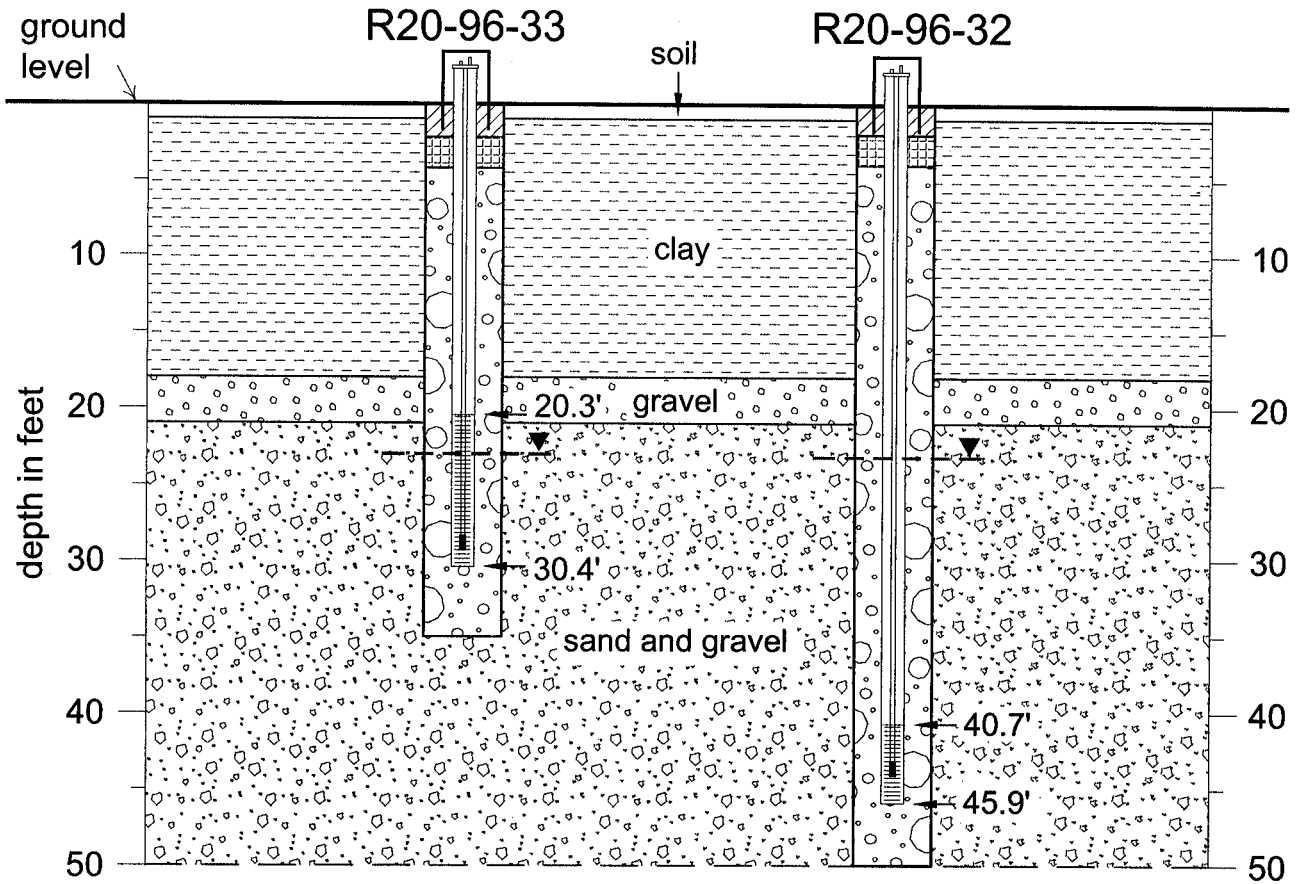
Native sediment (sand/gravel) and/or graded sand filter pack



Water level on November 10 and 11, 1995

Tulare aquifer
 SE SE SE SE sec. 15, T. 114 N., R. 62 W.
 (east of Spink County dam, Spink County)

W ← → E



Neat cement



Granular bentonite



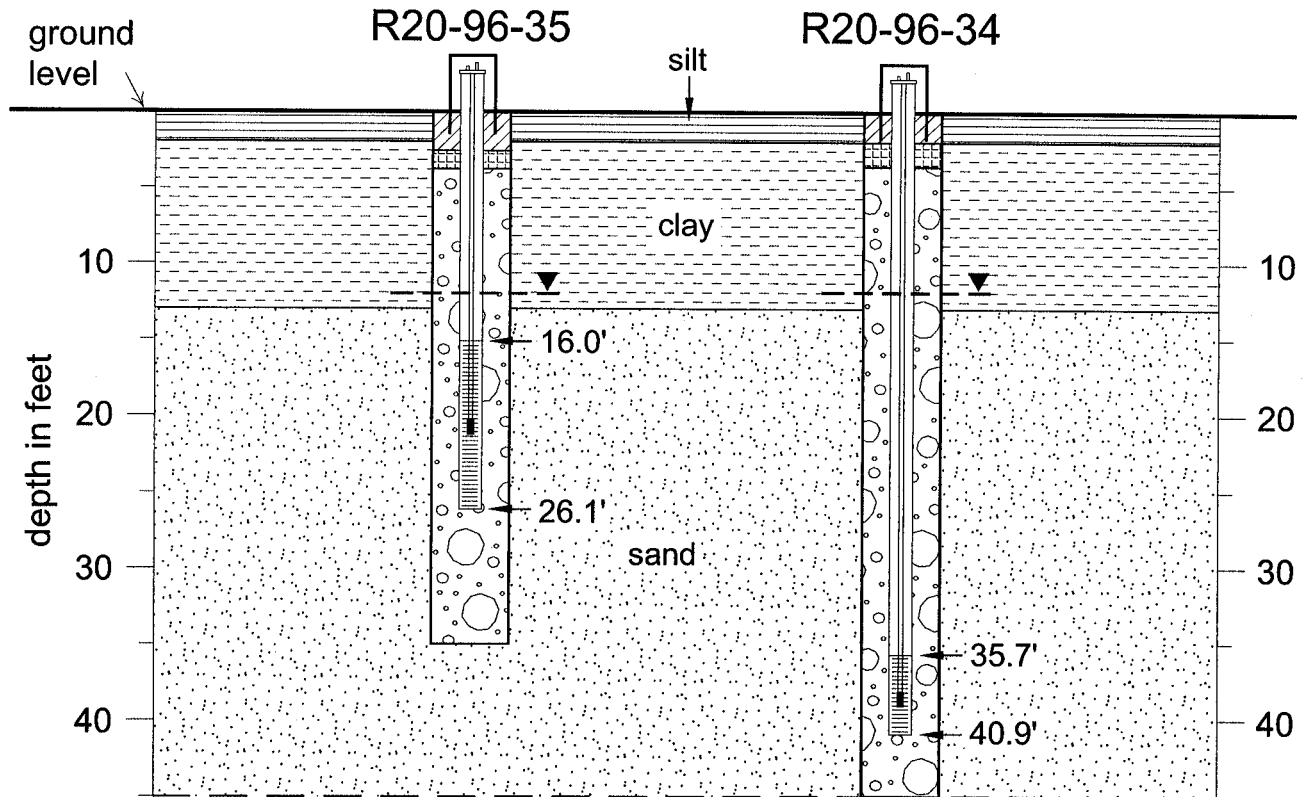
Native sediment (sand/gravel) and/or graded sand filter pack







Water level on August 19, 1996

Tulare aquifer
 NE NE NE NE sec. 23, T. 114 N., R. 63 W.
 (north of Hitchcock, Spink County)

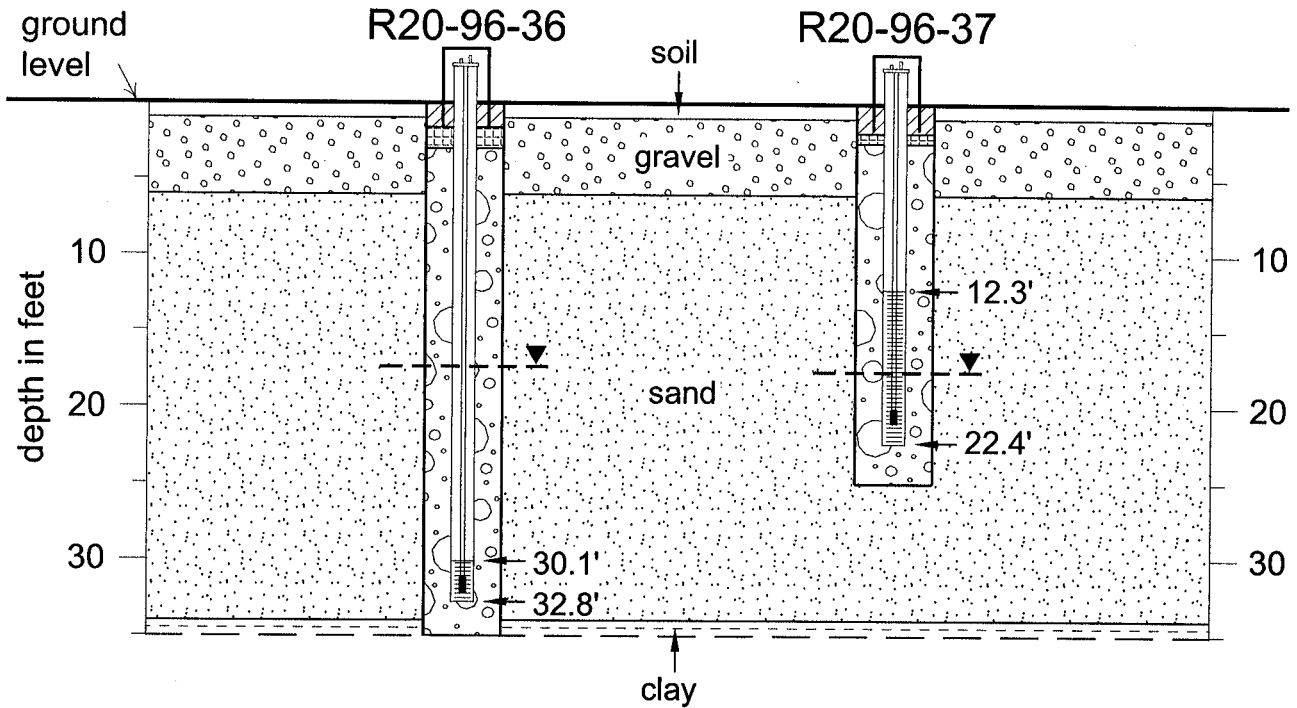
S ← → N


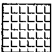




-  Neat cement
-  Granular bentonite
-  Native sediment (sand/gravel) and/or graded sand filter pack
-  Water level on August 19, 1996

Tulare aquifer
 SW SW SW SW sec. 23, T. 115 N., R. 63 W.
 (east of Tulare, Spink County)

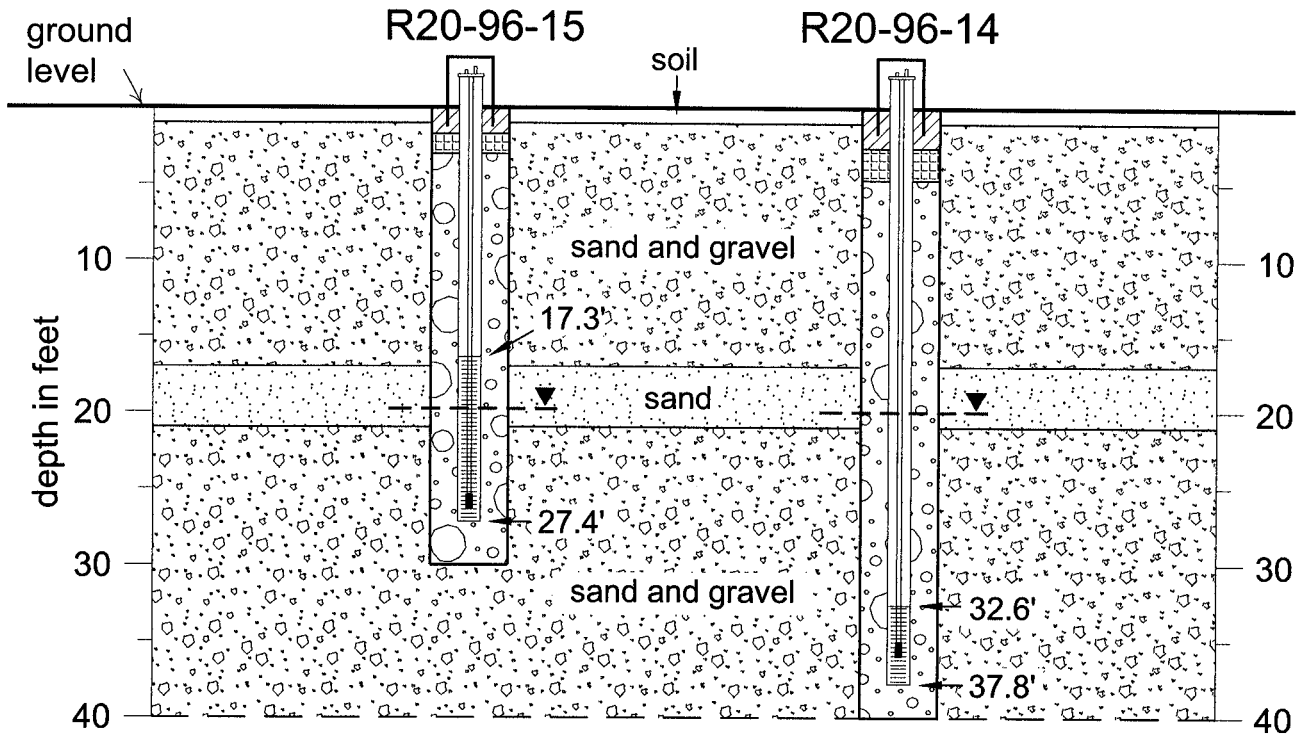
S ← → N



-  Neat cement
-  Granular bentonite
-  Native sediment (sand/gravel) and/or graded sand filter pack
-  Water level on August 19, 1996

Vermillion-East-Fork aquifer
 SE SE NE SE sec. 6, T. 111 N., R. 56 W.
 (north of De Smet, Kingsbury County)

S ← → N



Neat cement



Granular bentonite

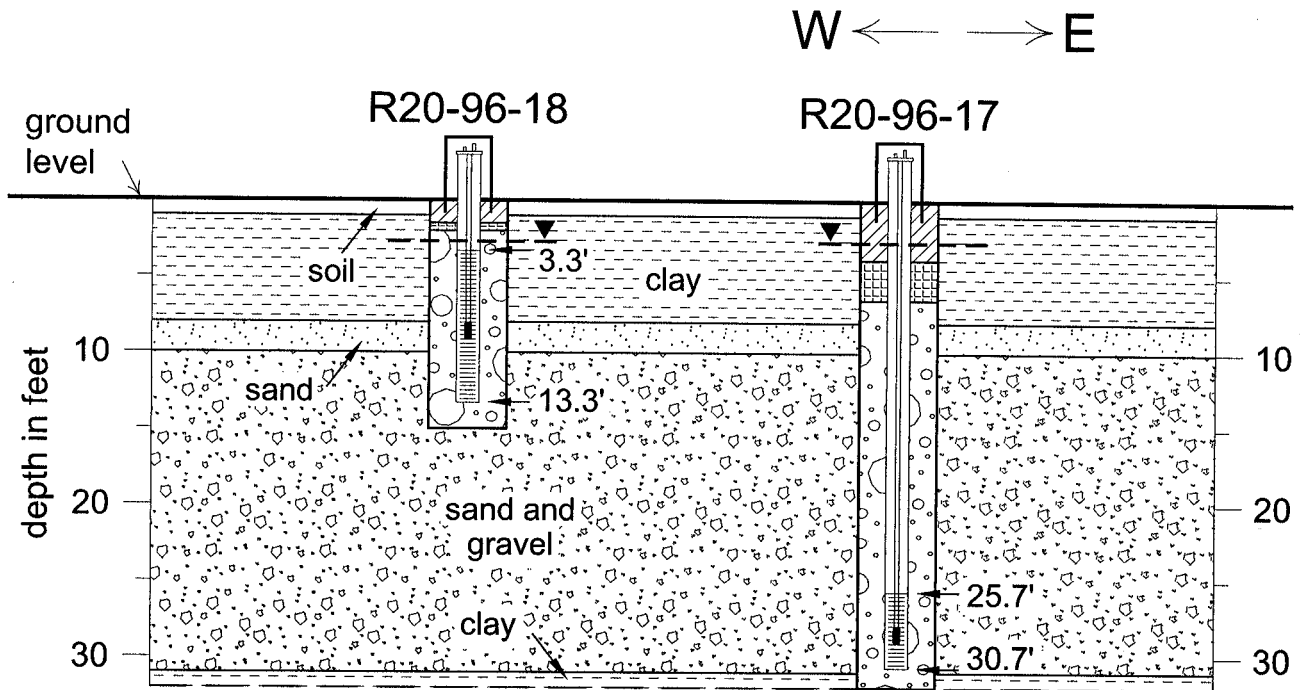



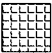


Native sediment (sand/gravel) and/or graded sand filter pack



Water level on August 19, 1996

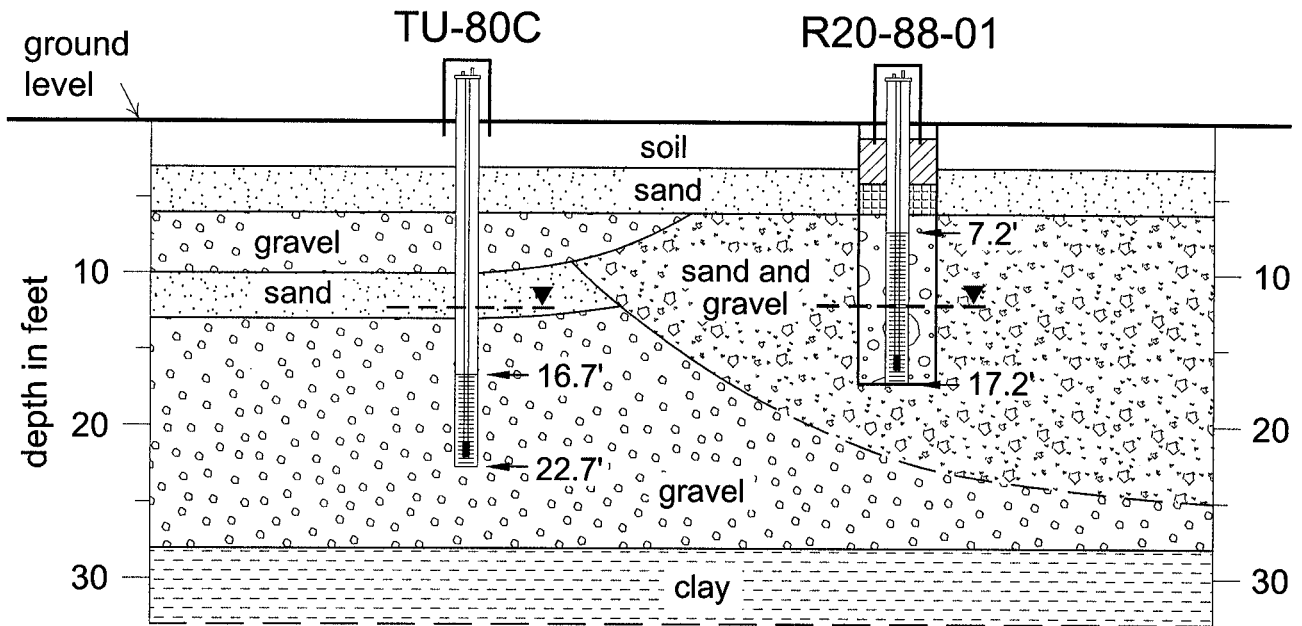
Vermillion-East-Fork aquifer
 SE SW SE SW sec. 7, T. 115 N., R. 57 W.
 (south of Clark, Clark County)



-  Neat cement
-  Granular bentonite
-  Native sediment (sand/gravel) and/or graded sand filter pack
-  -- ▽ -- Water level on August 19, 1996

Vermillion-West-Fork aquifer
 SW NW SW NW sec. 15, T. 99 N., R. 53 W.
 (near Parker, Turner County)

S ← → N



Neat cement



Granular bentonite



Native sediment (sand/gravel) and/or graded sand filter pack



Water level on September 7, 1994